

# SERVICE MANUAL

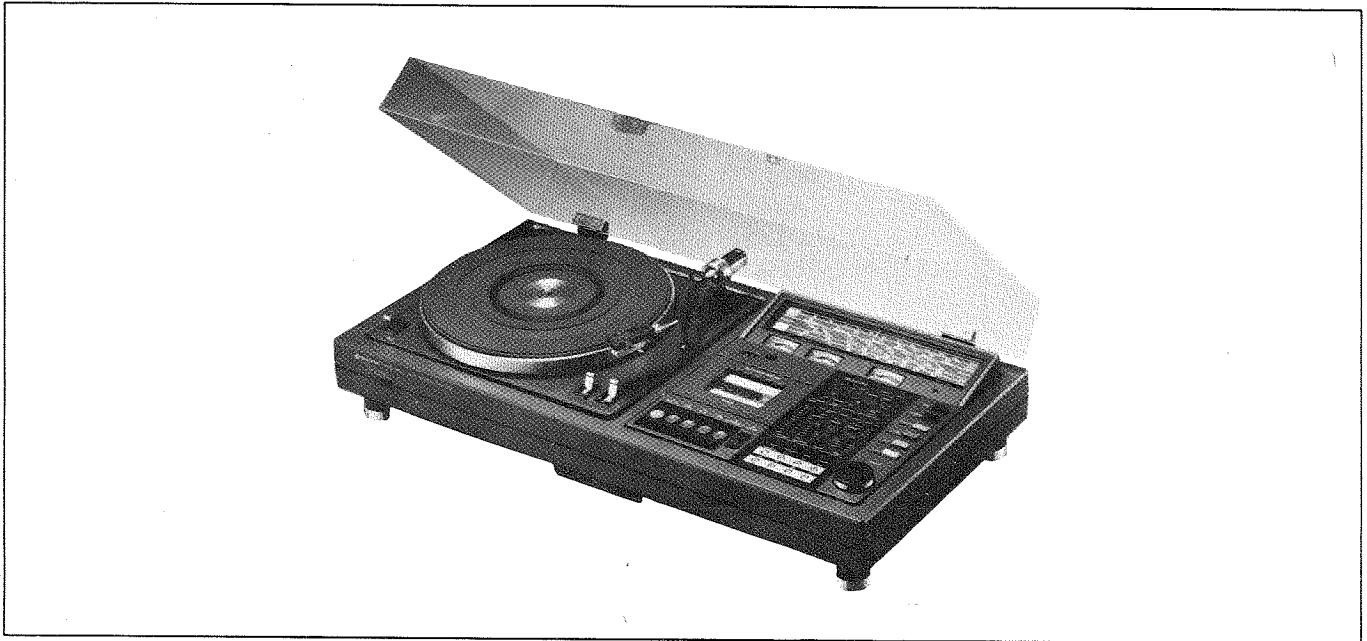


# SANYO

## STEREO MUSIC SYSTEM

# JXT4800

(U. S. A)



### SPECIFICATIONS

#### Cassette recorder and tuner section

Recording system: AC bias, 1/4 track stereo  
Erasing: AC erase  
Tape Speed: 1-7/8 ips. (4.75 cm/s)  
Rewind & Fast forward time: 1.30" (C-60)  
Wow & Flutter: 0.1% WRMS  
Signal to noise ratio: 58 dB (Dolby switch ON)  
50 dB (Dolby switch OFF)  
Speed accuracy:  $\pm 2\%$   
Cross talk: 60 dB  
Frequency Range: FM: 87.5 - 108 MHz S/N 30 dB  
sensitivity 23 dB  
SW2: 7.3-22.0 MHz S/N 20 dB  
sensitivity 31 dB  
SW1: 2.3 - 7.3 MHz S/N 20 dB  
sensitivity 75 dB  
MW: 510 - 1,605 KHz S/N 20 dB  
sensitivity 78 dB  
MPX separation: 20 dB (1 KHz)  
3 dB limiting: 30 dB (input 60 dB)  
Frequency response: NORMAL: 30 - 13,000 Hz  
CrO<sub>2</sub>: 30 - 16,000 Hz

#### Turntable section

Turntable speed: 33-1/3 and 45 rpm.  
Cartridge: Moving magnet cartridge with  
diamond stylus (MM107)  
Wow & Flutter: 0.12% WRMS  
Tracking force: 3g  
Turntable: 282 mm dia.  
Frequency response: 30 - 18,000 Hz

#### General

Power output: 15W x 2  
Terminal impedance: MIC: 10k ohm (0.3mV)  
AUX IN: 47k ohm (270mV)  
REC OUT: 4.7k ohm (250mV)  
SPEAKERS: 8 ohm  
HEADPHONES: 8 ohm (50mW)  
AC: 120/200/220/240V 50/60Hz  
Dimensions: 686 x 358 x 175 mm Approx.  
Weight: 13.5 kg Approx

Note: Specifications subject to change without notice.

WM-2793

## DISASSEMBLY

### A. Removing turntable unit (cf. Fig. 1)

1. First, dismount the turntable platter (T1) and the sheet (T91) on it. Next, remove the two special screws (19) fastening the turntable plate assembly (T10) to the main unit of the JXT4800HK. (cf. TURNTABLE EXPLODED VIEW)  
\* Pull up and turn counterclockwise the special screws to remove.
2. Detach the lead socket (107) from the plug (T84) of the turntable power cord. Pull two RCA plug pins (108) out of the socket assembly (T88). Now, the turntable unit can be separated from the JXT4800HK unit.

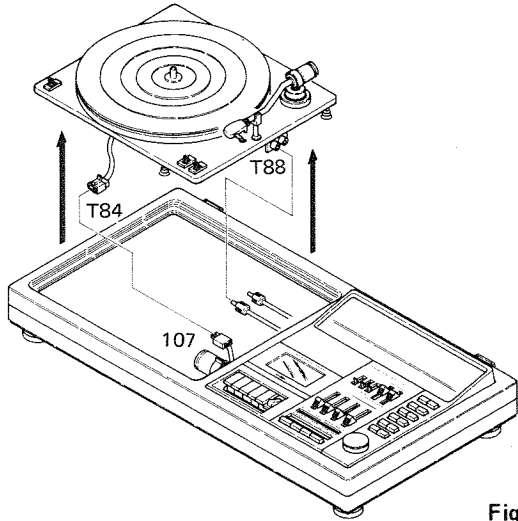


Fig. 1

### B. Removing deck panel (cf. Fig. 2)

1. Detach from their shafts six slide knobs (16) and one tuning knob (17) for operation control.
2. Remove the 10 screws (Y12) and the screw marked (Y13), and the deck panel (1) will come off.

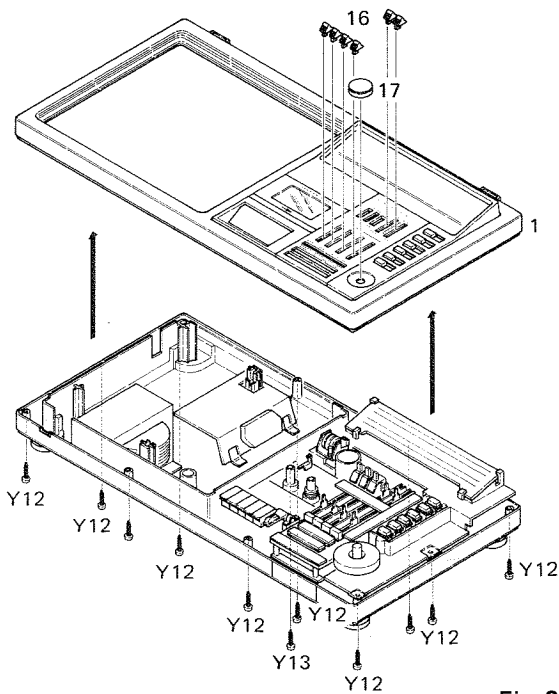


Fig. 2

### C. Removing printed circuit boards (cf. Fig. 3 to 8)

1. Remove the three screws (2 marked Y17 and 1 marked Y11) and detach the 10-pin socket (114) from the connector PCB (126). Then, you can remove the FM "touch" tuning PCB (133). (cf. Fig. 3)

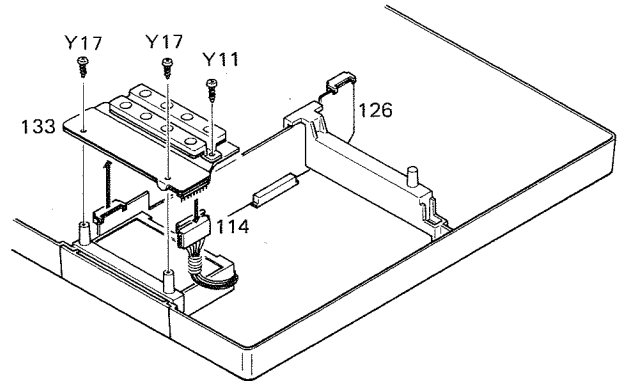


Fig. 3

2. Dismount the dial scale (37) from the bracket mounting (48) and remove the six screws (Y4 = 1, Y5 = 2, Y10 = 3) securing the latter. This done, the meter PCB (128) can be pulled off the socket on the connector PCB (126) together with the bracket mounting (48). (cf. Fig. 4)

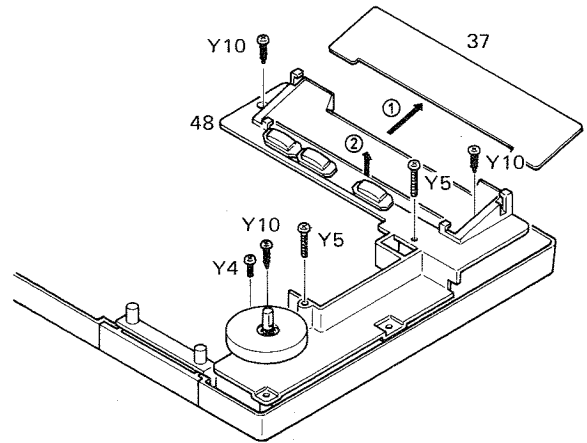


Fig. 4

## DISASSEMBLY

- Remove the two screws (Y17) and disconnect the socket from the connector PCB (126). Then, the volume PCB (121) will come off.

Next, remove the band select PCB (132) by unplugging it from the tuner PCB (131).

Lastly, remove the function PCBs (124 & 125) by unplugging it from the connector PCB (126). (cf. Fig. 5)

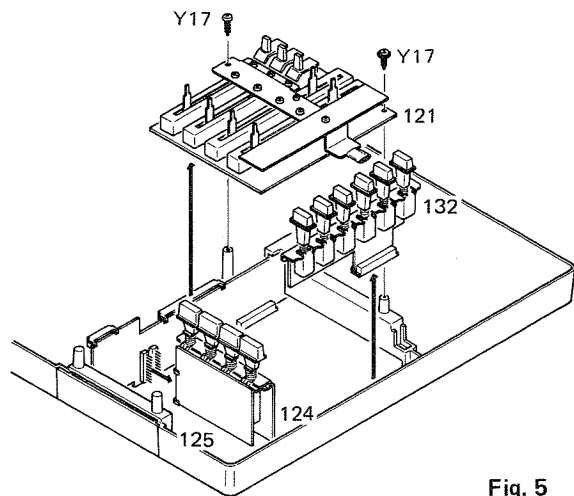


Fig. 5

- Remove the two pairs of screws (Y18) and washers (Y27) and unplug the equalizer PCB (120) from the socket of the connector PCB (126). (cf. Fig. 6)
- Remove the three screws (Y18) and a pair of screw (Y18) and washer (Y27). Then, unplug the amplifier PCB (129) from the socket of the connector PCB (126). (cf. Fig. 6)
- Remove the three pairs of screws (Y18) and washers (Y27), and two pairs of screws (Y12) and washers (Y25). Then, detach the tuner PCB (131) by unplugging it from the socket on the connector PCB (126). (cf. Fig. 6)

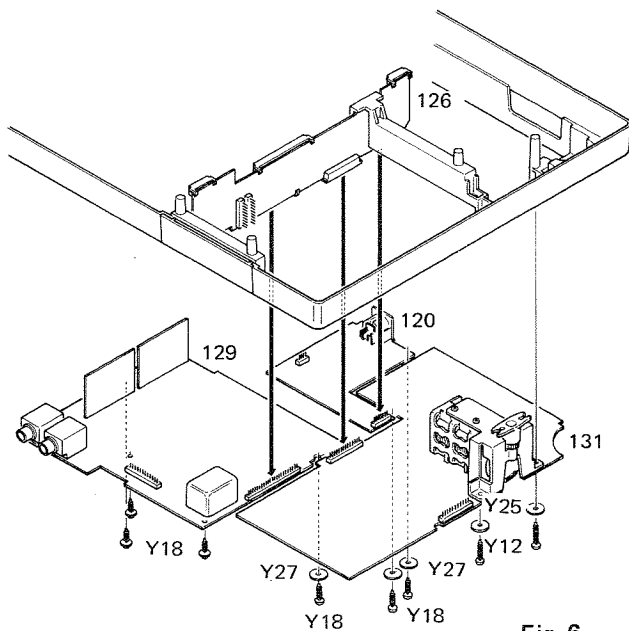


Fig. 6

- The connector PCB (126) can be detached only after all the above-mentioned printed circuit boards have been removed. Turn the connector PCB in the direction indicated by the arrows ① and then pull it out in the direction indicated by the arrow ②. (cf. Fig. 7)

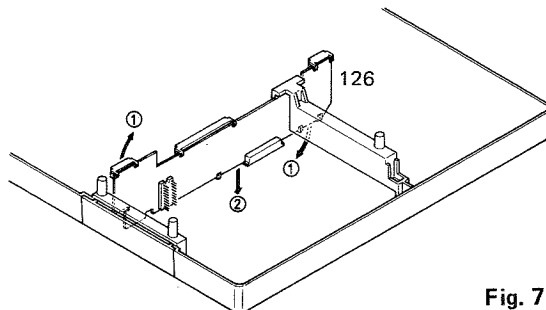


Fig. 7

- Remove the six screws (Y16 = 3, Y17 = 1 & Y19 = 2), and the power amplifier PCB (122) will come off.
- Take out the power amplifier connector PCB (123) after removing the screw (Y16). (cf. Fig. 8)
- Take out the power supply PCB (127) after removing the two screws (Y17). (Fig. 8)

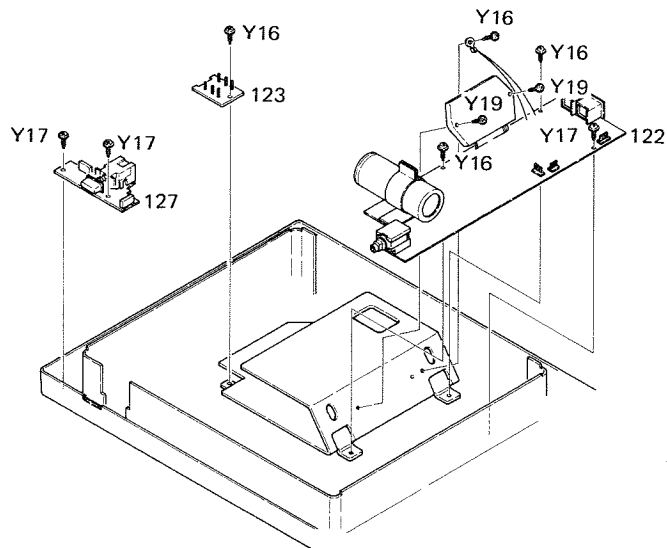


Fig. 8

## DIAL CORD STRINGING

1. Cut dial rope to approximately 1,600 mm in length. Tie its ends to form a ring. The rope length should become 1,400 mm. (Fig. 9)

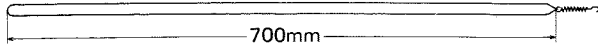


Fig. 9

2. Bend the teeth of the bracket mounting (48) to the outside and open the pilot lamp PCB. (cf. Fig. 10)

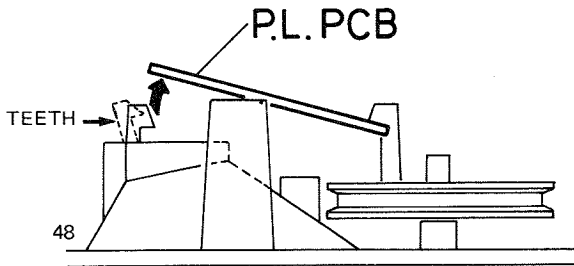


Fig. 10

3. Hook the spring coil (60) to the drum (68) and thread the dial rope through the gap between the bracket mounting and pilot lamp PCB. (cf. Fig. 11). Run the dial rope around the pulleys from ① to ⑦ as in Fig. 12. Wind the loose end of the dial rope and put it around the pulley ⑨ as in Fig. 12.

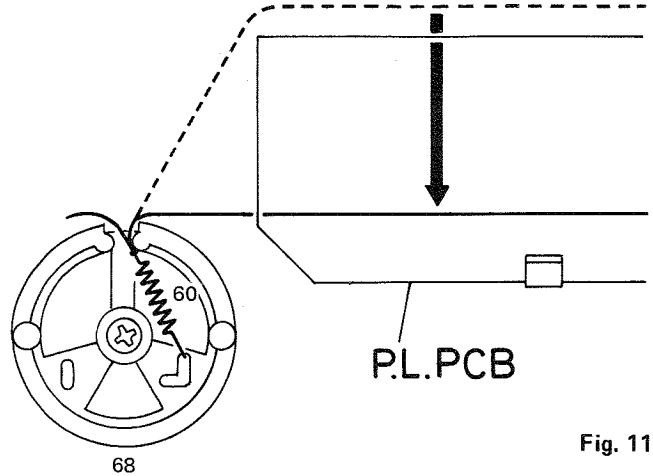


Fig. 11

- \* The dial rope should be wound three times around the tuning shaft and drum.

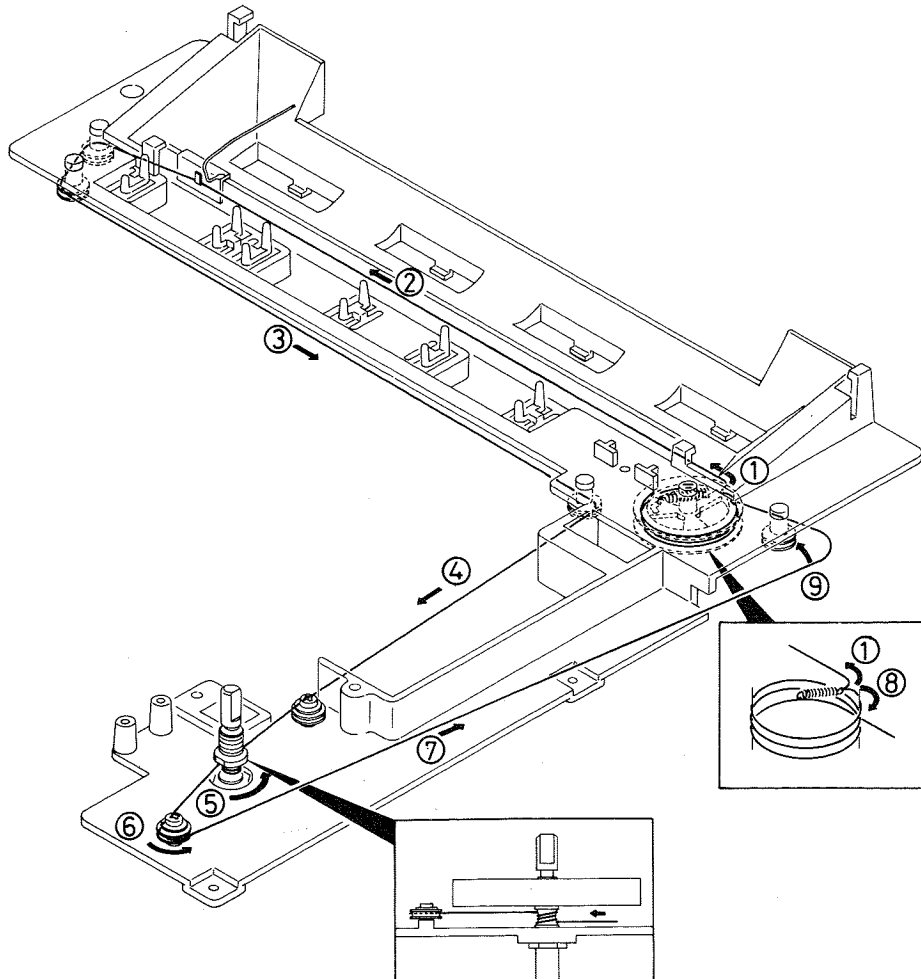


Fig. 12



## DIAL CORD STRINGING

4. Turn the variable capacitor as far as it moves in the arrow-marked direction (MAX. position). Engage the protrusion on the dial drum (68) with the mating plate of the variable capacitor as in Fig. 13 (note the position of the cut in the drum), paying attention that the mating plate is parallel to the capacitor gears (22).
5. Re-attach the pilot lamp PCB in its position. Then, attach the pointer, making it meet the starting point on the dial scale.

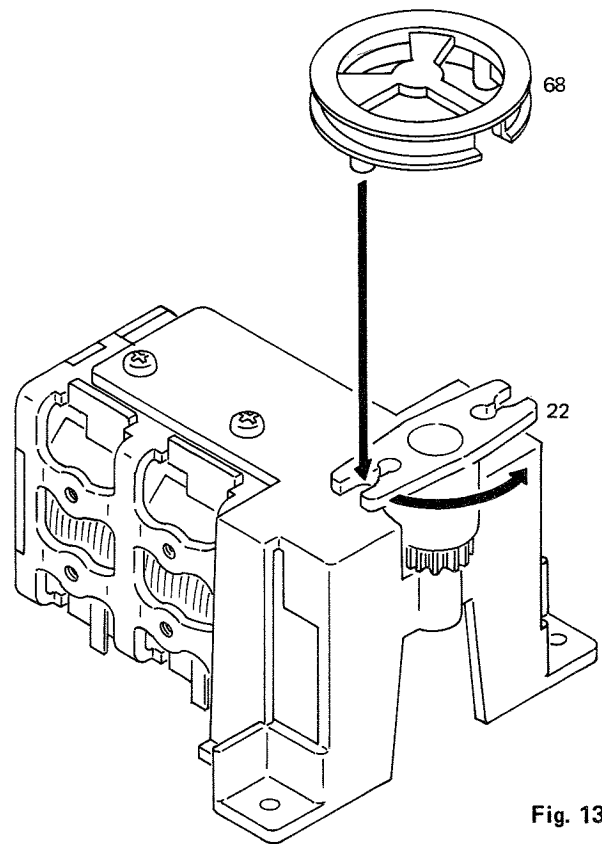


Fig. 13

## REPLACING MOTOR PULLEY

1. Remove the screw (headless screw  $3\phi \times 2$  mm) fastening the pulley (T13) to the motor (T14). (cf. Fig. 14-a)
  2. Adjust the speed select arm (T7) so that it corresponds to the pulley (T13) in height as shown in Fig. 14-b. To make this adjustment, loosen the pan head screw (3 x 6) (T5) on the speed select base and move the eccentric pin (T4). (cf. Fig. 14)
- \* This adjustment should be made with the speed select bar (T12) set to 33 rpm.

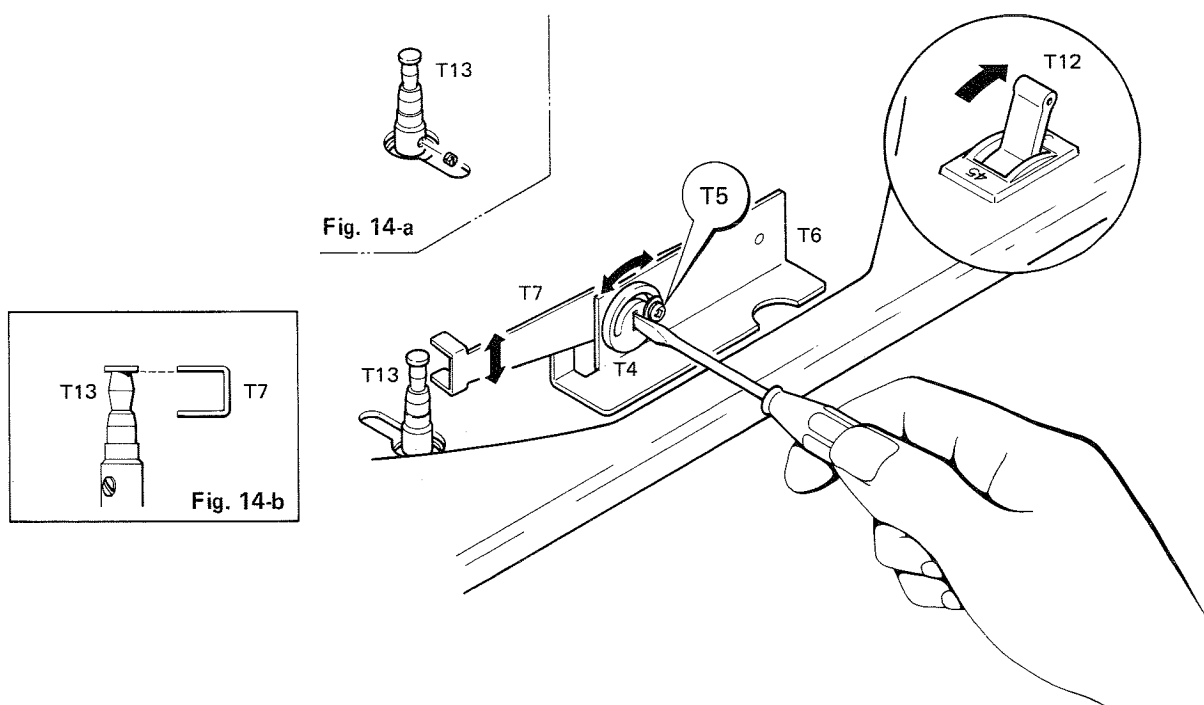


Fig. 14

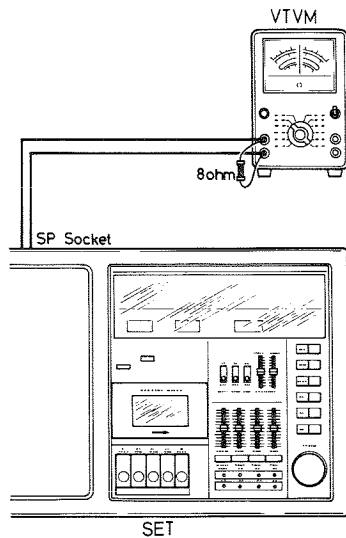
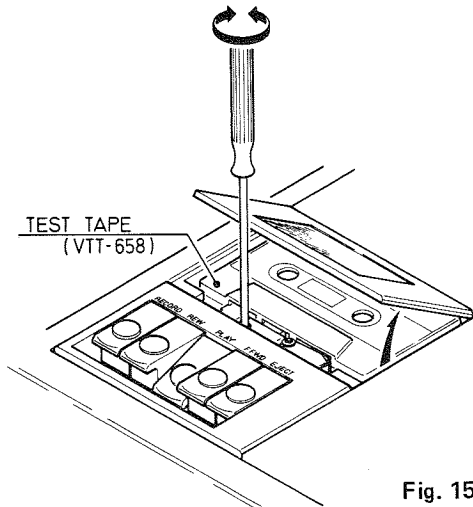
## ADJUSTMENT

### CONDITIONS FOR MEASUREMENT

1. Check the source voltage.
2. The input of recording signals is at the AUX (REC/PLAY) terminals Nos. 3 and 5.
3. The point of measurement is the speaker, using mainly a dummy load of 8 ohms. The speakers for both channels should be loaded simultaneously.
4. Unless otherwise specified, each of the control volumes – BALANCE, TREBLE and BASS – should be set to the center position.
5. The BEAT CANCEL switch should be set to "1".
6. The FUNCTION switch should be set to AUX during recording and to TAPE during playback.
7. The LOUDNESS switch should be set to OFF.
8. The heads should be cleaned in advance.
9. When CrO<sub>2</sub> tape is in use, the REC/PLAY frequency response should be: 1kHz, 10kHz = 0 ± 3 dB.  
The divergence of the output, when adjusted, should be within ± 1 dB.

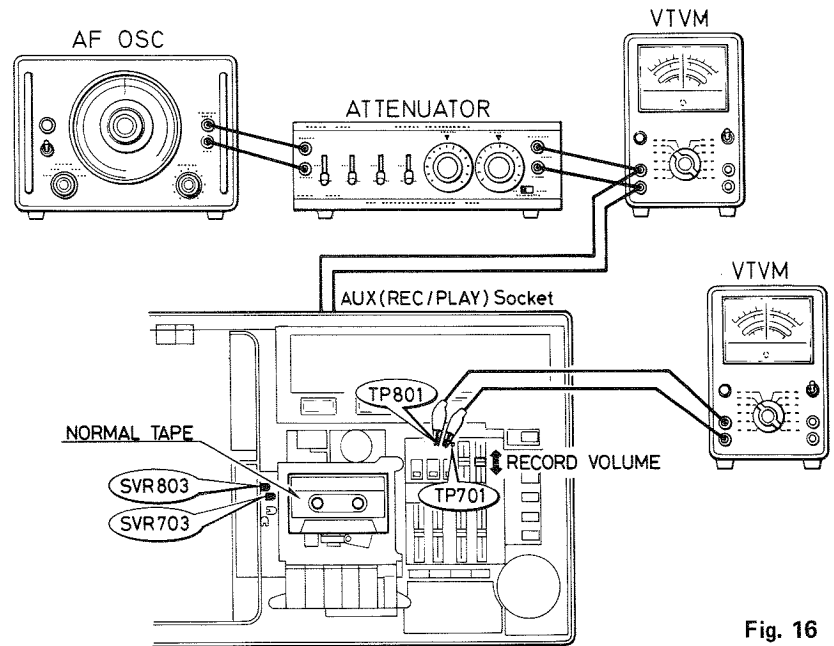
### HEAD AZIMUTH

1. Set the switches to the following positions:  
FUNCTION switch → TAPE  
TAPE switch → NORMAL  
DOLBY switch → OFF  
MAIN VR → CENTER POSITION
2. Mount VTT-658 (10kHz -15dB) test tape and set the unit in the PLAY mode. Adjust the head azimuth screw until the VTVM reading becomes maximum. (Fig. 15a, b)
3. Do the above for both the left and right channels.



### METER (RECORDING)

1. Set the switches to the following positions:  
FUNCTION switch → AUX  
TAPE switch → NORMAL  
DOLBY switch → OFF
2. Mount normal tape onto the unit.
3. Apply 1 kHz -10dB (100mV) signals to the unit at the AUX terminal from the AF oscillator via the attenuator. Set the unit in the recording mode. (Fig. 16)
4. Set the recording volume to 580mV, at TP701 and TP801.
5. Set the MAIN VOLUME to 500mW (speaker output of 2V). (Fig. 17)
6. Obtain a meter reading of +2VU ± 0.5dB, adjusting SVR702 and SVR802. (Fig. 18)



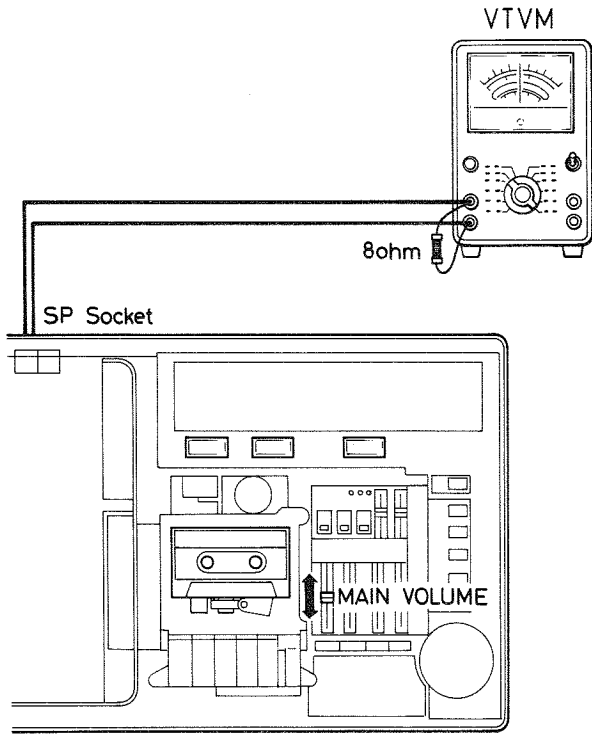


Fig. 17

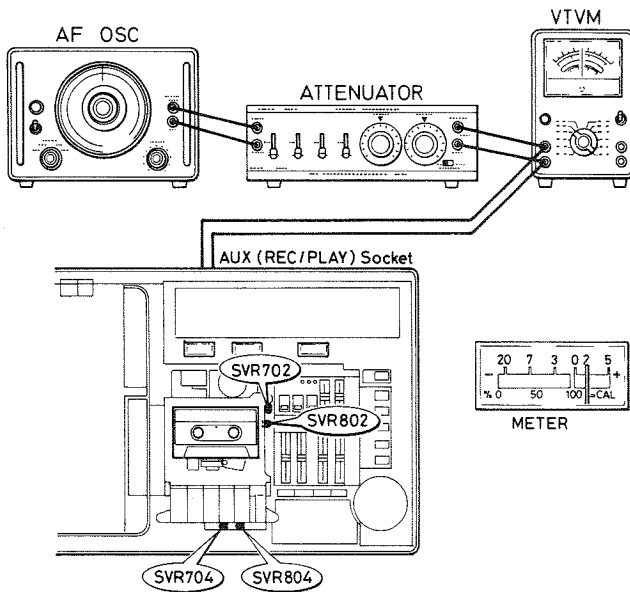


Fig. 18

**METER (PLAYING)**

1. Set the switches to the following positions:  
 FUNCTION switch → TAPE  
 TAPE switch → NORMAL  
 DOLBY switch → OFF  
 MAIN & RECORD VRs → Meter readings (recording):  
 4 & 5 calibrations.
2. Mount MTT-150 (DOLBY) tape onto the unit, and set it in playback mode.
3. Adjust SVR701 and SVR801 to obtain a meter reading of +2VU ±0.5 dB for each channel. (Fig. 19)

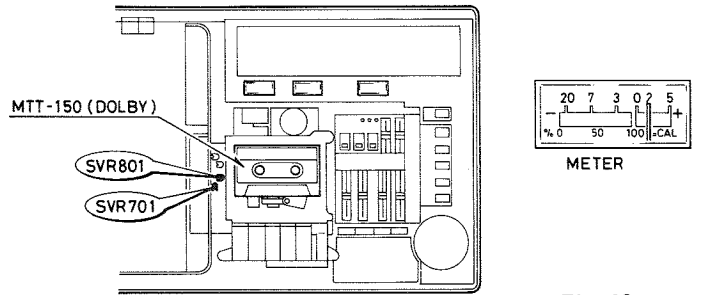
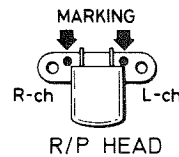


Fig. 19

**BIAS**

1. Set the switches to the following positions:  
 TAPE switch → NORMAL  
 DOLBY switch → OFF  
 MAIN & RECORD VRs → Meter readings (recording):  
 4 & 5 calibrations.
2. Mount normal (or SANYO) tape onto the unit. Set the unit in the recording mode.
3. Measure the voltage on the VTVM, connecting it to both ends of R702 (10 ohms) for the R/P head. Do the same with R802.
4. Obtain the voltages listed below for the corresponding marks, adjusting SVR704 and SVR804. (Fig. 20)



| Marking  | Bias current   |
|----------|----------------|
| Violet   | 400 μA (4mV)   |
| Green    | 450 μA (4.5mV) |
| Black    | 500 μA (5mV)   |
| Red      | 550 μA (5.5mV) |
| Non mark | 600 μA (6mV)   |
| Blue     | 650 μA (6.5mV) |
| Brown    | 700 μA (7mV)   |

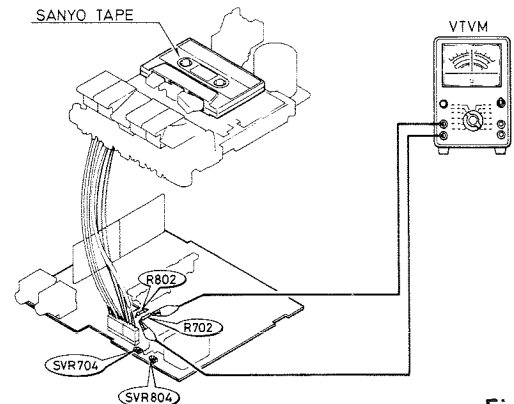


Fig. 20

## ADJUSTMENT

### RECORD/PLAYBACK FREQUENCY RESPONSE

- Set the switches to the following positions:  
 FUNCTION switch → AUX ⇌ TAPE  
 TAPE switch → NORMAL  
 DOLBY switch → OFF  
 MAIN & RECORD VRs → Meter readings (recording):  
 4 & 5 calibrations
- Apply inputs of 100Hz, 1kHz and 10kHz -30 dB to the unit at AUX. Set the unit in the recording mode. (Fig. 21)
- Play tape and make necessary adjustment to obtain the following:  
 100Hz output = 0 dB  
 1kHz output =  $0 \pm 2$  dB  
 10kHz output =  $+1 \pm 2$  dB
- Readjust SVR704 and SVR804 if the VTVM readings do not conform to the above readings.

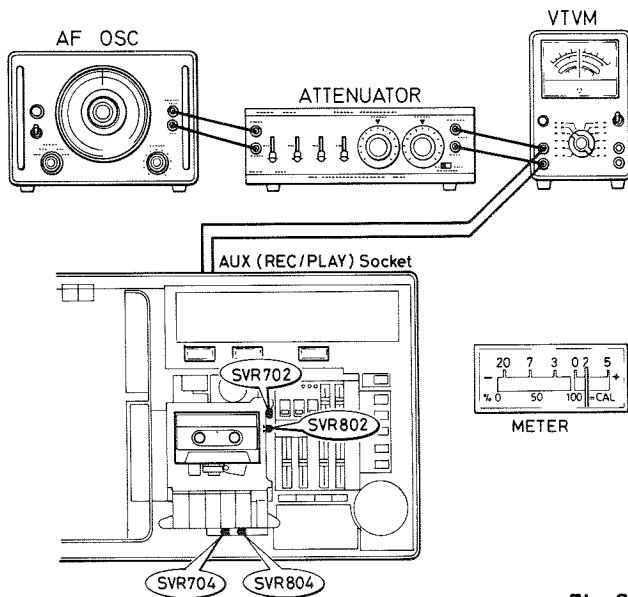


Fig. 21

### OUTPUTS

- Set the switches to the following positions:  
 FUNCTION switch → AUX ⇌ TAPE  
 TAPE switch → NORMAL  
 DOLBY switch → OFF  
 MAIN & RECORD VRs → Meter readings (recording):  
 4 & 5 calibrations
- Mount normal tape onto the unit and set the unit in the recording mode.
- Apply 1kHz -10 dB (100mV) signals to AUX. (Fig. 22)
- Playback the above 1kHz signals.
- Make the recording output correspond to the playback output by adjusting SVR703 and SVR803.

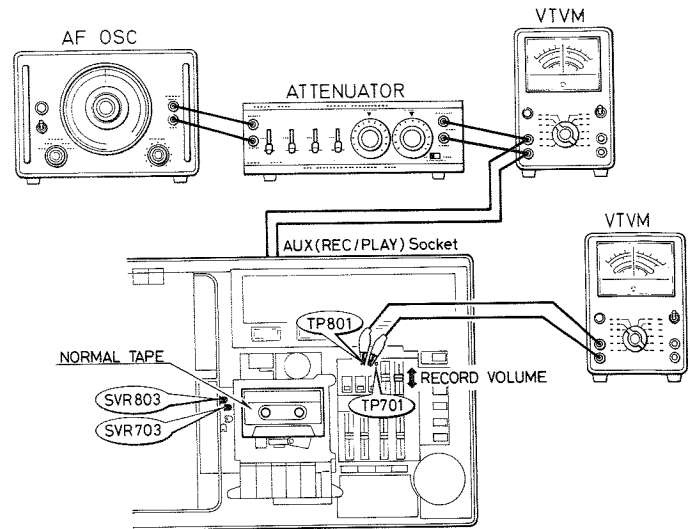


Fig. 22

### DOLBY PCB 19kHz TRAP

- Apply 19kHz  $\pm 100$ Hz signals to the unit at the AUX terminal from the AF oscillator via the attenuator.
  - Obtain a VTVM reading of 30mV, adjusting the attenuator.
  - Obtain a minimum output from the TP701 and TP801 by adjusting L502 and L552. (Fig. 23)
- \* Provided that the output level is 0 dB for an input of 1kHz, there should be an output of less than -30 dB at 19kHz.
- NOTE: The frequency generated by the AF oscillator will fluctuate slightly with a rise in temperature. Keep watching the digital counter and adjust, if necessary.

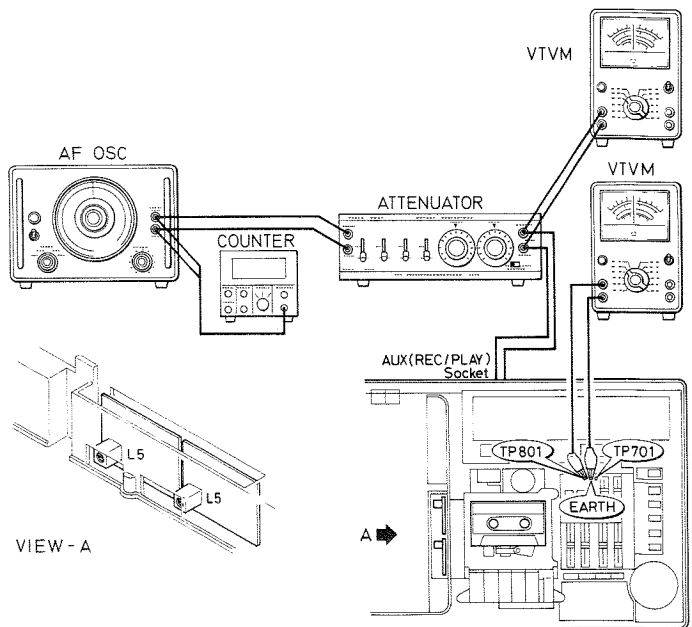


Fig. 23

## TUNER ADJUSTMENT

1. Check the source voltage.
2. Set the BAND selector switch to the band for its alignment.
3. Disconnect from the unit the FM telescopic antenna.
4. The standard test signal is amplitude-modulated by 30% with a 400Hz audio signal.
5. The standard test signal is frequency-modulated by a deviation of 22.5kHz with a 1kHz audio signal.

### Test equipment

1. Signal generator for AM and SW.
2. Loop antenna for AM and SW1.
3. DIN dummy antenna for SW2.
4. VTVM
5. Scope for FM
6. Signal generator for FM
7. Dummy antenna for FM

### Voltage adjustment

1. Set the BAND selector switch to FM.
2. Connect a VTVM to TP-201 (+) and TP-202 (-).
3. Adjust R217 (50k $\Omega$ ) until 0.5V is obtained.

## AM ALIGNMENT

| Alignment    | Equipment                   | Connection  | Step | Gen. Freq.   | Dial Setting      | Adjustment | For            |
|--------------|-----------------------------|-------------|------|--|-------------------|------------|----------------|
| IF           | AM Signal Generator<br>VTVM | See page 11 |      | 455kHz   | Minimum Frequency | T151, T202 | Maximum Output |
| TUNING RANGE | AM Signal Generator<br>VTVM |             | 1    | 505kHz   | Minimum Frequency | L155       | Maximum Output |
|              |                             |             | 2    | 1650kHz  | Maximum Frequency | CT154      | Maximum Output |
|              |                             |             | 3    | Repeat steps 1 and 2.  |                   |            |                |
| TRACKING     | Signal Generator<br>VTVM    |             | 1    | 600kHz   | Tune to Signal    | L153       | Maximum Output |
|              |                             |             | 2    | 1400kHz  | Tune to Signal    | CT153      | Maximum Output |
|              |                             |             | 3    | Repeat steps 1 and 2 until no further improvement can be made. |                   |            |                |

- 1) Points for testing IF output: H (hot side) ..... TR205, E (earth side) ..... TP204
- 2) For testing, use an IRE loop antenna.

## SW1 ALIGNMENT

| Alignment    | Equipment                   | Connection  | Step | Gen. Freq.   | Dial Setting      | Adjustment | For            |
|--------------|-----------------------------|-------------|------|--|-------------------|------------|----------------|
| TUNING RANGE | AM Signal Generator<br>VTVM | See page 11 | 1    | 2.2MHz   | Minimum Frequency | L156       | Maximum Output |
|              |                             |             | 2    | 7.6MHz   | Maximum Frequency | CT156      | Maximum Output |
|              |                             |             | 3    | Repeat steps 1 and 2 until no further improvement can be made. |                   |            |                |
| TRACKING     | AM Signal Generator<br>VTVM |             | 1    | 2.5MHz   | Tune to Signal    | L153       | Maximum Output |
|              |                             |             | 2    | 6.5MHz   | Tune to Signal    | CT155      | Maximum Output |
|              |                             |             | 3    | Repeat steps 1 and 2 until no further improvement can be made. |                   |            |                |

- 1) For testing, use an IRE loop antenna.

## SW2 ALIGNMENT

| Alignment    | Equipment                   | Connection  | Step | Gen. Freq.   | Dial Setting      | Adjustment | For            |
|--------------|-----------------------------|-------------|------|--|-------------------|------------|----------------|
| TUNING RANGE | AM Signal Generator<br>VTVM | See page 11 | 1    | 7.0MHz   | Minimum Frequency | L154       | Maximum Output |
|              |                             |             | 2    | 22.7MHz  | Maximum Frequency | CT152      | Maximum Output |
|              |                             |             | 3    | Repeat steps 1 and 2 until no further improvement can be made. |                   |            |                |
| TRACKING     | AM Signal Generator<br>VTVM |             | 1    | 8.0MHz   | Tune to Signal    | L152       | Maximum Output |
|              |                             |             | 2    | 21.0MHz  | Tune to Signal    | CT151      | Maximum Output |
|              |                             |             | 3    | Repeat steps 1 and 2 until no further improvement can be made. |                   |            |                |

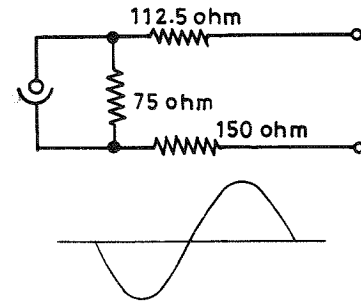
- 1) For testing, use a DIN (IEC) dummy antenna.

# TUNER ADJUSTMENT

## FM ALIGNMENT

| Alignment    | Equipment                          | Connection  | Step   | Gen. Freq.            | Dial Setting                  | Adjustment               | For   |                |
|--------------|------------------------------------|-------------|--|-----------------------|-------------------------------|--------------------------|---|----------------|
| IF           | IF Sweep Generator<br>Oscilloscope | See page 11 |  | 10.7MHz               | Minimum Frequency             | T101, T201, T203<br>T204 | Symmetrical curve for Maximum<br>Symmetrical S-curve on Scope |                |
| TUNING RANGE | FM Signal Generator<br>VTVM        |             | 1  | Manual 87MHz          | Minimum frequency<br>at 88MHz | R126                     | Maximum Output  |                |
|              |                                    |             |  | Pre-set 88MHz         |                               | R125                     |   |                |
|              |                                    |             | 2  | Manual 109MHz         | Maximum Frequency             | L103                     | Stretch or Squeeze  | Maximum Output |
|              |                                    |             | 3  | Repeat steps 1 and 2. |                               |                          |   |                |
| TRACKING     | FM Signal Generator<br>VTVM        |             | 1  | 90MHz                 | at 90MHz                      | L101, L102               | Stretch or Squeeze  | Maximum Output |
|              |                                    | 2           | 106 MHz  | at 106MHz             | CT101, CT102                  | Maximum Output           |   |                |
|              |                                    | 3           | Repeat steps 1 and 2 until no further improvement can be made. |                       |                               |                          |   |                |

- For testing, use a dummy antenna (300 ohm balanced).
- Points for testing IF input
  - H (hot side) . . . . . TP102
  - E (earth side) . . . . . TP101
 Points for testing output
  - H (hot side) . . . . . TP203
  - E (earth side) . . . . . TP204
- Adjust the detector transformer to obtain an S curve as illustrated at right.
  - Points for testing input
    - H (hot side) . . . . . TP102
    - E (earth side) . . . . . TP101
  - Points for testing output
    - H (hot side) . . . . . TP206
    - E (earth side) . . . . . TP204
- Adjust the signal range covered, starting with the high range according to the instructions in the manual.
  - Pre-set tuning buttons to 88MHz to cover the low range.
  - No adjustment is required of the high range.
  - \* There may be deviations in the low range but its center channel should correspond to 88MHz.



## MPX ADJUSTMENT

### 1. PILOT FREQUENCY

Connect a frequency counter to the test points ((+) to TP301 and (-) to TP204). Set the BAND switch to FM and adjust R302 (5k $\Omega$ ) to obtain an accurate pilot frequency of 19kHz, while receiving no signals. (Fig. 24)

### 2. SEPARATION

Apply from the stereo signal generator to the SG a 96MHz (modulation 30%, pilot frequency 10%) 60 dB signal. Adjust R306 (2k $\Omega$ ) to achieve maximum separation for L & R channels at the stereo signal generator. (Fig. 25) Signals to the right channel should be minimum when adjusting the left channel and those to the left channel should be minimum when adjusting the right channel.

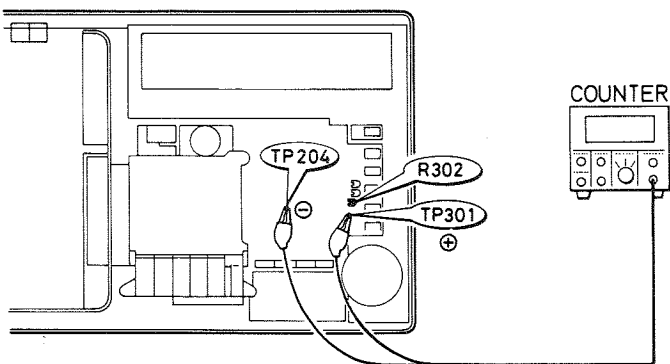


Fig. 24

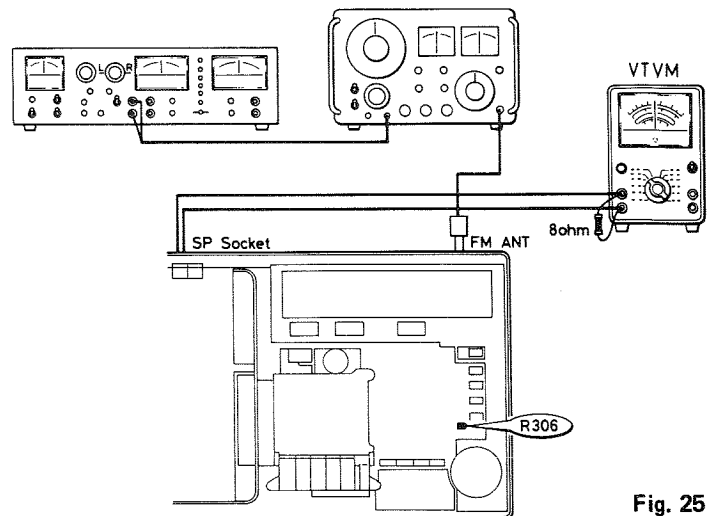


Fig. 25

## METER ADJUSTMENT (TUNING)

Make the following adjustment with the BAND switch set to AM

1. Zero point  
Adjust R206 (1kB) so that the SG output is zero and the needle is about to start swining. (Fig. 26)
2. Maximum point  
Adjust R204 (2kB) so that the needle stands at the maximum 10 with the SG output at 1kHz 126 dB. (Fig. 26)

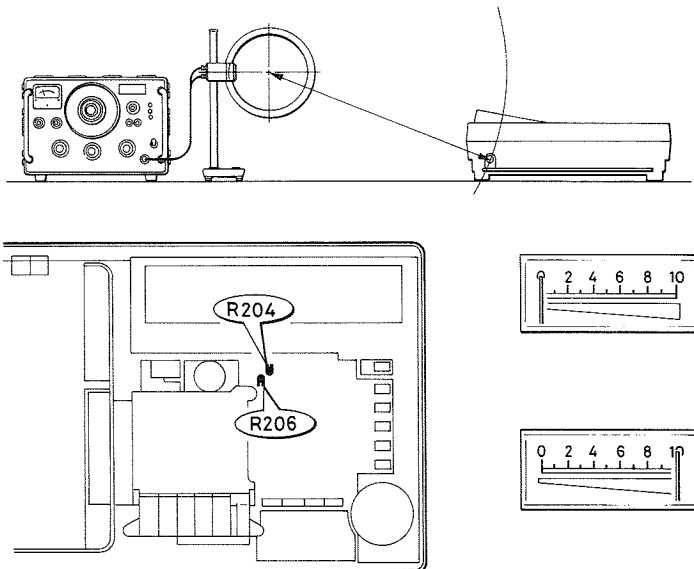


Fig. 26

## MECHANISM ADJUSTMENT

### PINCH ROLLER ADJUSTMENT

1. Set the unit into the PLAY mode.
2. Apply a tension gauge to the pinch roller. Read the gauge at the precise moment when the pinch roller separates from the capstan.
3. If the gauge reading falls more than 450 – 650g gr, no adjustment is necessary. If otherwise, make adjustment by changing the force of the spring coil. (See exploded view M31)

### TORQUE ADJUSTMENT

1. Set the unit into the PLAY, FAST FORWARD or REWIND mode.
2. Measure the each torque with a torque gauge. They should be as following;

|              |                |
|--------------|----------------|
| PLAY         | 30 - 60 gr/cm  |
| FAST FORWARD | 65 - 110 gr/cm |
| REWIND       | 60 - 110 gr/cm |
3. If the each torque fails to reach the standard value. Clean the drive belt, flywheel, motor pulley, take-up reel, take-up pulley, idler and rewind roller with a cotton swab soaked in alcohol.

### ADJUSTMENT OF AUTOMATIC SHUT-OFF MECHANISM

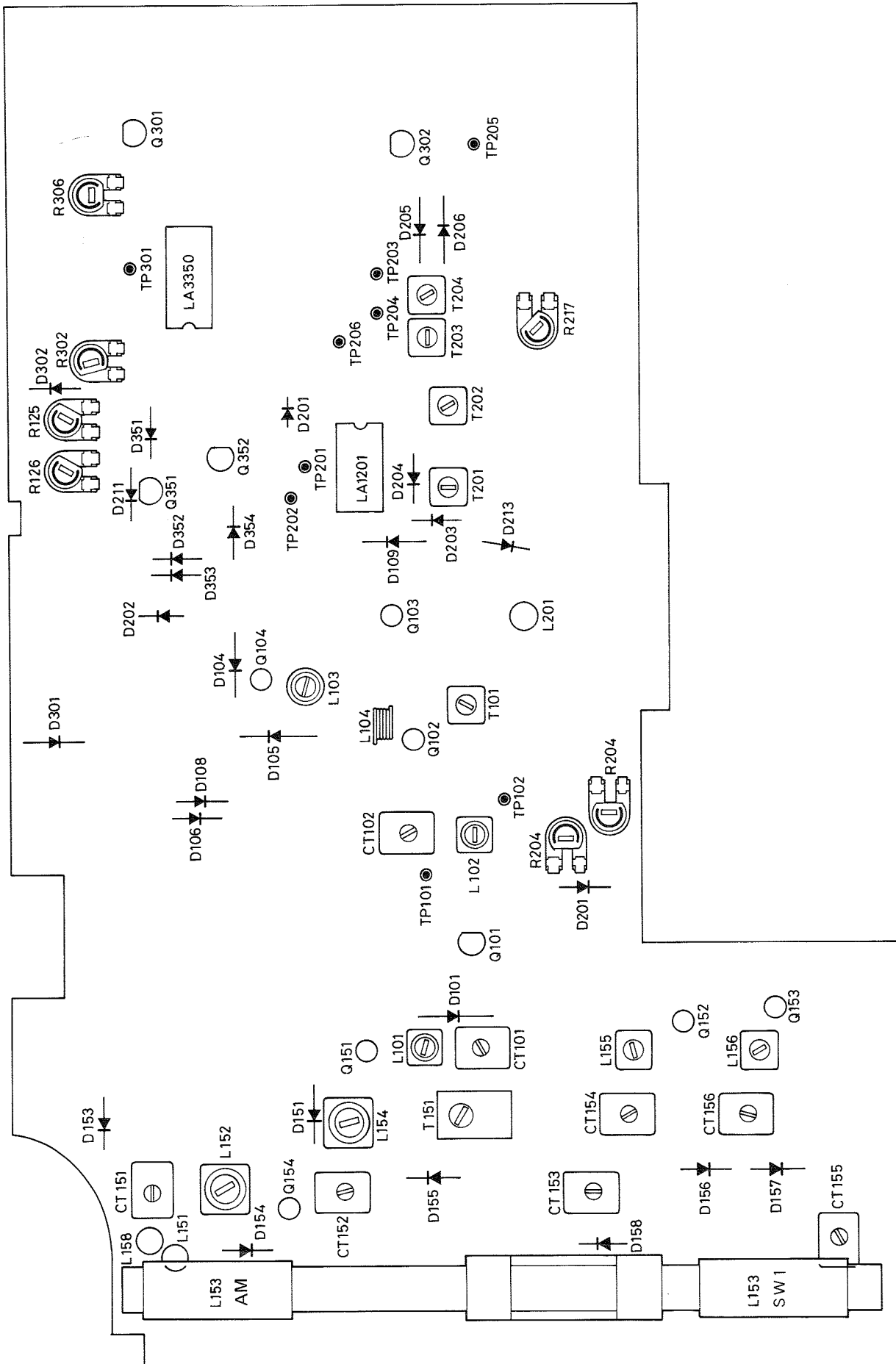
1. Set the unit into the PLAY mode.
2. Apply a tension gauge to the tip. Check to see that the shut-off mechanism functions between 40 – 55 grs.

#### NOTE:

The tension gauge should be hold at right angles to the tip for correct measurement.

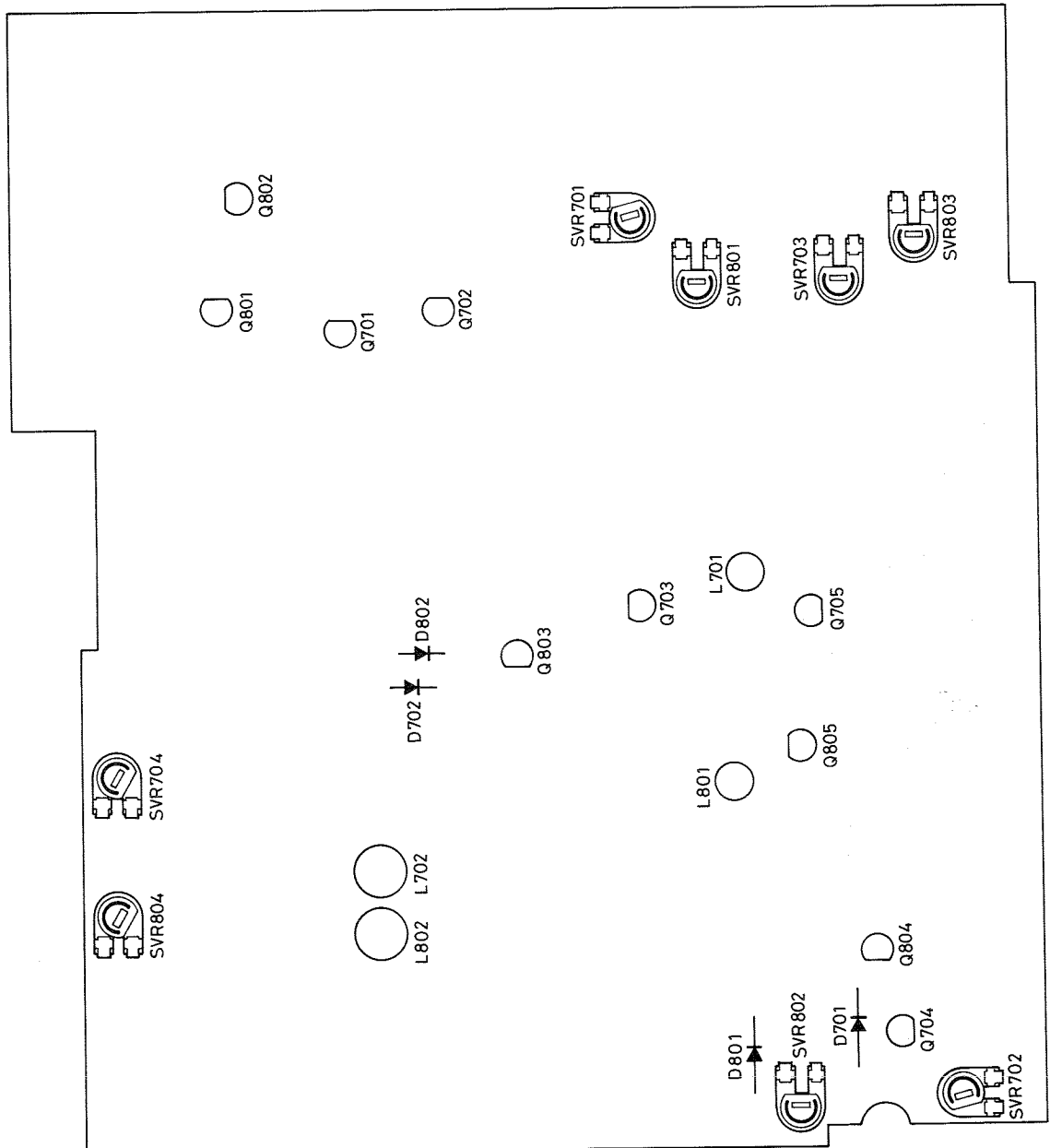
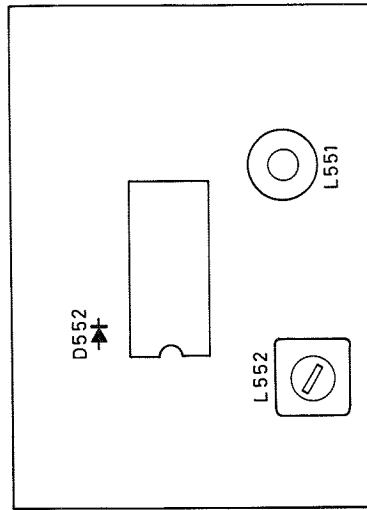
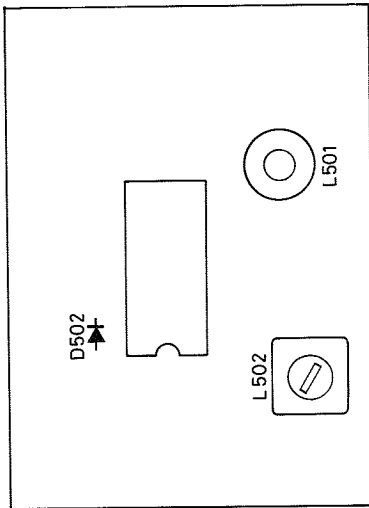
3. In case the tip pressure is outside the standard range or in case the shut-off mechanism does not work, make adjustment by changing the force of the spring coil (See exploded view M70)

PARTS LOCATION (TUNER)

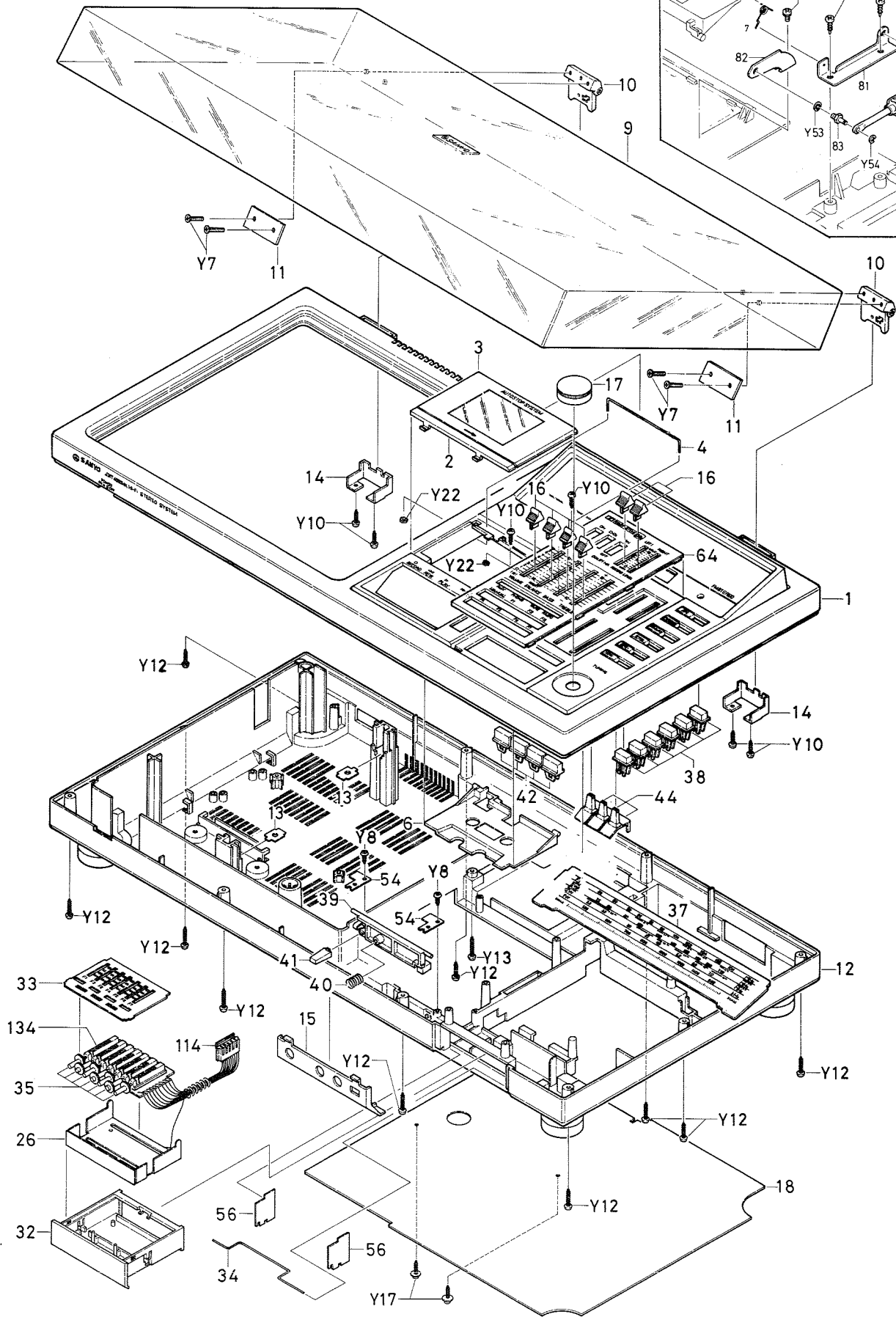
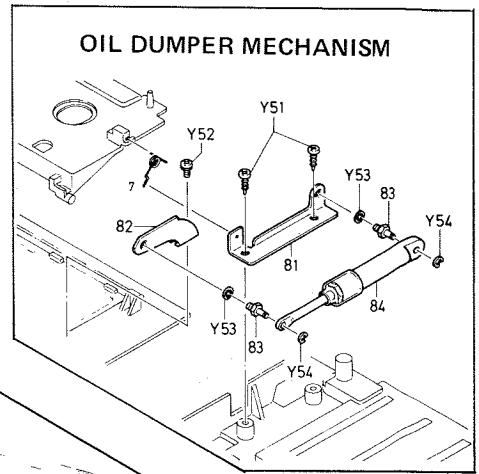




PARTS LOCATION (AMP, DOLBY)



# EXPLODED VIEW (CABINET)



**PARTS LIST**

| Ref. No.         | Part No.         | Description  | Q'ty | Ref. No.                | Part No.         | Description   | Q'ty |
|------------------|------------------|--|------|-------------------------|------------------|---|------|
| <b>PACKING</b>   |                  |  |      | <b>CHASSIS</b>          |                  |   |      |
|                  | 141-6-132T-72306 | Individual Carton                                    | 1    | 30                      | 141-2-363T-05600 | Bracket Capacitor, Electrolytic Capacitor (C953) Mtg. | 2    |
|                  | 141-6-144T-36300 | Styrol Filler, Dust Cover                            | 2    | 31                      | 141-2-310T-04000 | Bracket, EXT. Antenna Terminal Mtg.                   | 1    |
|                  | 141-6-144T-35200 | Styrol Filler  | 1    | 32                      | 141-2-231T-00700 | Bracket, Pre Set Box                                  | 1    |
|                  | 141-6-144T-35300 | Styrol Filler  | 1    | 33                      | 141-2-146T-10700 | Dial Scale, Bracket (32) Mtg.                         | 1    |
|                  | 141-6-455T-02900 | Serial Number Plate                                  | 2    | 34                      | 141-2-753T-14400 | Shaft, Bracket (32) Stopper                           | 1    |
|                  | 141-6-411T-86708 | Instruction Booklet                                  | 1    | 35                      | 141-2-163T-37000 | Rotary Knob, Pre Set Volume                           | 7    |
|                  | 141-6-479T-20800 | Label, Dolby   | 1    | 36                      | 141-2-161T-34100 | Push Button, Power Switch                             | 1    |
|                  | 141-2-289T-01600 | Adhesive Film, Sheet Mtg.                            | 8    | 37                      | 141-2-146T-10805 | Dial Scale  | 1    |
|                  | 141-6-472T-14000 | Caution Label, FCC                                   | 1    | 38                      | 141-2-161T-34200 | Push Button, Band Select                              | 6    |
|                  | 141-6-231T-35402 | Inner Polyethylene Bag, Turn Table                   | 1    | 39                      | 141-2-742T-99600 | Lever, Beat Cancel Select                             | 1    |
|                  | 141-6-316T-73600 | Pad, Turn Table                                      | 1    | 40                      | 141-2-851T-70800 | Coil Spring, Beat Cancel Select                       | 1    |
|                  | 141-2-316T-73900 | Pad, Set   | 1    | 41                      | 141-2-161T-34800 | Push Button, Beat Cancel                              | 1    |
|                  | 141-6-231T-45902 | Inner Polyethylene Bag, Dust Cover                   | 1    | 42                      | 141-2-161T-34300 | Push Button, AUX/PHONO/TAPE/RADIO                     | 4    |
|                  | 141-6-231T-10300 | Inner Polyethylene Bag, Power Supply Cord            | 1    | 43                      | 141-2-352T-23200 | Spacer, FM Stereo Lamp (LED D305) Mtg.                | 1    |
|                  | 141-6-231T-60902 | Inner Polyethylene Cover                             | 1    | 44                      | 141-2-162T-11400 | Lever Knob, Dolby Select                              | 3    |
|                  | 141-6-231T-20300 | Inner Polyethylene Bag, Instruction Booklet, SP Cord | 2    | 45                      | 141-2-464T-22501 | Fixer, Power Supply Cord                              | 1    |
|                  | 141-2-246T-13400 | Sheet, Dust Cover                                    | 2    | 46                      | 141-2-445T-16200 | Rubber Cushion, Power Supply Cord Fixer               | 1    |
|                  | 141-2-246T-13500 | Sheet, Dust Cover                                    | 2    | 47                      | 141-2-361T-12100 | Bracket Resistor, VR P.C.B. Mtg.                      | 1    |
|                  | 141-6-231T-10100 | Inner Polyethylene Bag                               | 1    | 48                      | 141-2-351T-37400 | Bracket Mounting                                      | 1    |
|                  | 141-6-316T-77500 | Pad, Top lid 100x100                                 | 1    | 49                      | 141-0-566T-04200 | Tuning Shaft Assembly                                 | 1    |
|                  | 141-6-316T-80200 | Pad, Accessory                                       | 1    | 50                      | 141-2-521T-01500 | Flywheel  | 1    |
|                  | 141-6-493T-01100 | Castoner Card  | 1    | 51                      | 141-0-511T-03600 | Pointer Assembly                                      | 1    |
| <b>ACCESSORY</b> |                  |  |      | 52                      | 141-2-858T-07800 | Bracket, Mechanism Mtg.                               | 1    |
|                  | 4-241T-10282     | Cassette Tape C-12                                   | 1    | 53                      | 141-2-852T-38700 | Wire Spring, Bracket (52) Mtg.                        | 1    |
|                  | 141-0-661T-03200 | Pulley Assembly, Turntable 50Hz                      | 1    | 54                      | 141-2-310T-01800 | Bracket, Lever (39) Mtg.                              | 2    |
|                  | 4-243T-16000     | Lead cord, Speaker                                   | 2    | 55                      | 141-2-352T-23700 | Spacer, Pointer (51) Mtg.                             | 1    |
|                  | 4-245T-00100     | FM Antenna   | 1    | 56                      | 141-2-352T-23800 | Spacer, Bottom Lid Mtg.                               | 2    |
|                  | 4-245T-00200     | AM Antenna   | 1    | 57                      | 141-2-465T-14200 | Plate Spring, Mechanism Mtg.                          | 1    |
|                  | 4-236T-11300     | Plug   | 1    | 59                      | 141-2-340T-00100 | Rope 0.3φ x 1600mm                                    | 1    |
| <b>CABINET</b>   |                  |  |      | 60                      | 123-2-481R-00600 | Coil Spring, Hook a Dial Drum                         | 1    |
| 1                | 141-9-121T-13406 | Deck Panel Assembly                                  | 1    | 61                      | 141-2-322T-38100 | Shield Plate, Bottom Mtg.                             | 1    |
| 2                | 141-2-134T-08200 | Head Cover   | 1    | 62                      | 141-2-852T-38500 | Wire Spring, Main AMP Earth                           | 1    |
| 3                | 141-9-124T-15201 | Top Lid Assembly                                     | 1    | 63                      | 4-237T-07100     | Terminal Board, EXT ANT                               | 1    |
| 4                | 141-2-753T-13000 | Shaft, Top Lid Fulcrum                               | 1    | 64                      | 141-2-143T-68500 | Marking Plate, Operation Panel                        | 1    |
| 5                | 141-2-367T-30900 | Bracket, Socket                                      | 2    | 65                      | 141-2-157T-24330 | Inlay, Mechanism Button                               | 4    |
| 6                | 141-9-243T-08700 | Base Assembly, Cassette                              | 1    | 66                      | 141-2-157T-24301 | Inlay, Mechanism Button, REC                          | 1    |
| 7                | 141-2-855T-09800 | Coil Spring, Cassette Base Up                        | 1    | 67                      | 141-2-421T-20900 | Special Screw, Dial Pulley Mtg. Drum                  | 7    |
| 9                | 141-9-194T-00600 | Dust Cover Assembly                                  | 1    | 68                      | 141-2-538T-05900 | Drum  | 1    |
| 10               | 141-2-251T-06101 | Hinge  | 2    | 69                      | 141-2-661T-16000 | Pulley, Bracket (48) Mtg.                             | 6    |
| 11               | 141-2-351T-37300 | Bracket Mounting, Hinge (10) Mtg.                    | 2    | 72                      | 141-2-472T-01201 | Lug, Wire Dressing                                    | 1    |
| 12               | 141-9-125T-09608 | Bottom Lid Assembly                                  | 1    | <b>ELECTRICAL PARTS</b> |                  |   |      |
| 13               | 141-2-411T-07700 | Plate Nut, Turn Table Fixer                          | 2    | 101                     | 4-234T-06271     | Fuse 3.15AT, Power AMP                                | 1    |
| 14               | 141-2-315T-12900 | Reinforcement, Hinge (10) Mtg.                       | 2    | 102                     | 4-234T-01110     | Fuse 315mA, Tape Motor                                | 1    |
| 15               | 141-2-129T-01000 | Side Lid, Microphone Socket Cover                    | 1    | 103                     | 4-234T-04471     | Fuse 1AT, Player                                      | 1    |
| 16               | 141-2-164T-17500 | Slide Knob   | 6    | 104                     | 4-234T-05300     | Fuse 1.25AT, Pilot Lamp                               | 1    |
| 17               | 141-9-163T-36800 | Rotary Knob Assembly, Tuning                         | 1    | 105                     | 4-234T-01771     | Fuse 400mA, Tuner                                     | 1    |
| 18               | 141-2-125T-09700 | Bottom Lid   | 1    | 106                     | 4-159T-00271     | Player, Turn Table                                    | 1    |
| 19               | 141-2-421T-20100 | Special Screw, Turn Table Fixer                      | 2    | 107                     | 4-235T-38500     | Socket Lead, Power P.C.B. to Player                   | 1    |
| 81               | 141-2-310T-08600 | Bracket, Deckpanel Mtg.                              | 1    | 108                     | 4-236T-11400     | Plug, Player Input                                    | 2    |
| 82               | 141-2-224T-08800 | Bracket lid, Top lid mtg.                            | 1    | 109                     | 4-251T-66600     | Power Transformer                                     | 1    |
| 83               | 141-2-567T-02300 | Pulley shaft, Sleeve                                 | 2    | 110                     | 4-243T-00100     | Power Supply Cord                                     | 1    |
| 84               | 141-0-681T-00100 | Sleeve Assembly, Oil Dumper                          | 1    | 111                     | 4-235T-39100     | Socket 3P + 4P + 7P, P.C.B. Connect                   | 1    |
| <b>CHASSIS</b>   |                  |  |      | 112                     | 4-235T-39300     | Socket 4P, Player Input                               | 1    |
| 20               | 141-2-363T-05200 | Bracket Capacitor, Tuner P.C.B. Mtg.                 | 1    | 113                     | 4-235T-34600     | Socket, Power P.C.B. Mtg.                             | 2    |
| 21               | 141-2-581T-06400 | Gear, Variable Capacitor Mtg.                        | 1    | 114                     | 4-235T-42100     | Socket 10P, Preset P.C.B. to Touch P.C.B.             | 1    |
| 22               | 141-2-581T-06500 | Gear, Bracket Capacitor (20) Mtg.                    | 1    | 115                     |                  | Light Emitting Diode SLP-114B, D305                   | 1    |
| 23               | 141-2-753T-14300 | Shaft, Gear (22) Mtg.                                | 1    | 116                     | 141-2-382T-05300 | Terminal  | 2    |
| 24               | 141-2-243T-08800 | Base, Touch P.C.B. Mtg.                              | 1    | 117                     | 141-2-464T-08700 | Fixer, Heat Sink Lead Fixer                           | 6    |
| 25               | 141-2-153T-28600 | Escutcheon, Touch P.C.B. Mtg.                        | 1    | 118                     | 4-231T-53671     | Switch, Voltage Select                                | 1    |
| 26               | 141-2-322T-35100 | Shield Plate, Pre Set Volume Bracket (34) Mtg.       | 1    | 119                     | 123-2-472R-00401 | Lug, Mechanism Earth                                  | 1    |
| 27               | 141-2-322T-36200 | Shield Plate, Touch P.C.B. Mtg.                      | 1    |                         |                  |   |      |
| 28               | 141-2-368T-10100 | Heat Sink, IC (STK-014) Mtg.                         | 1    |                         |                  |   |      |

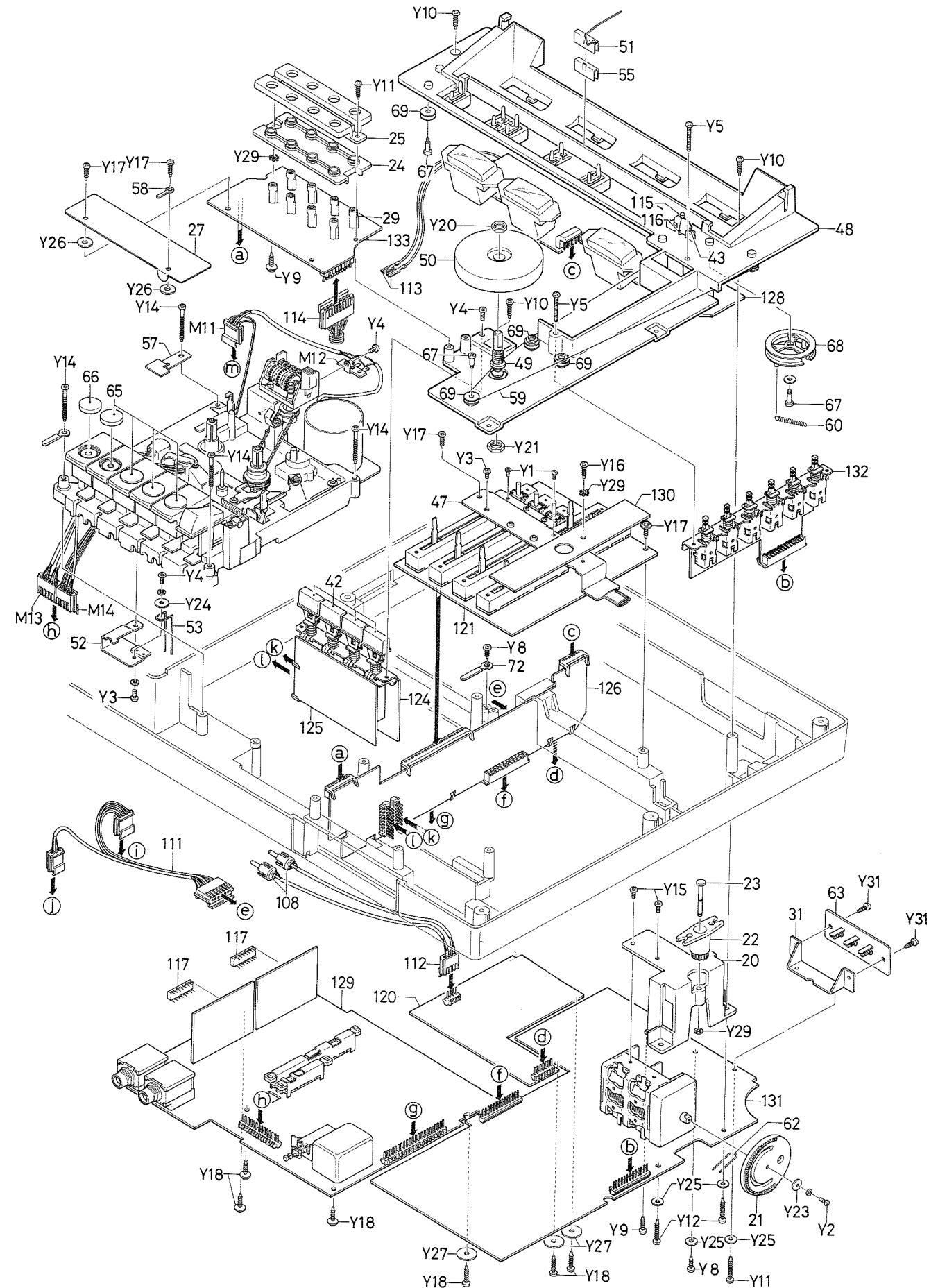
PARTS LIST

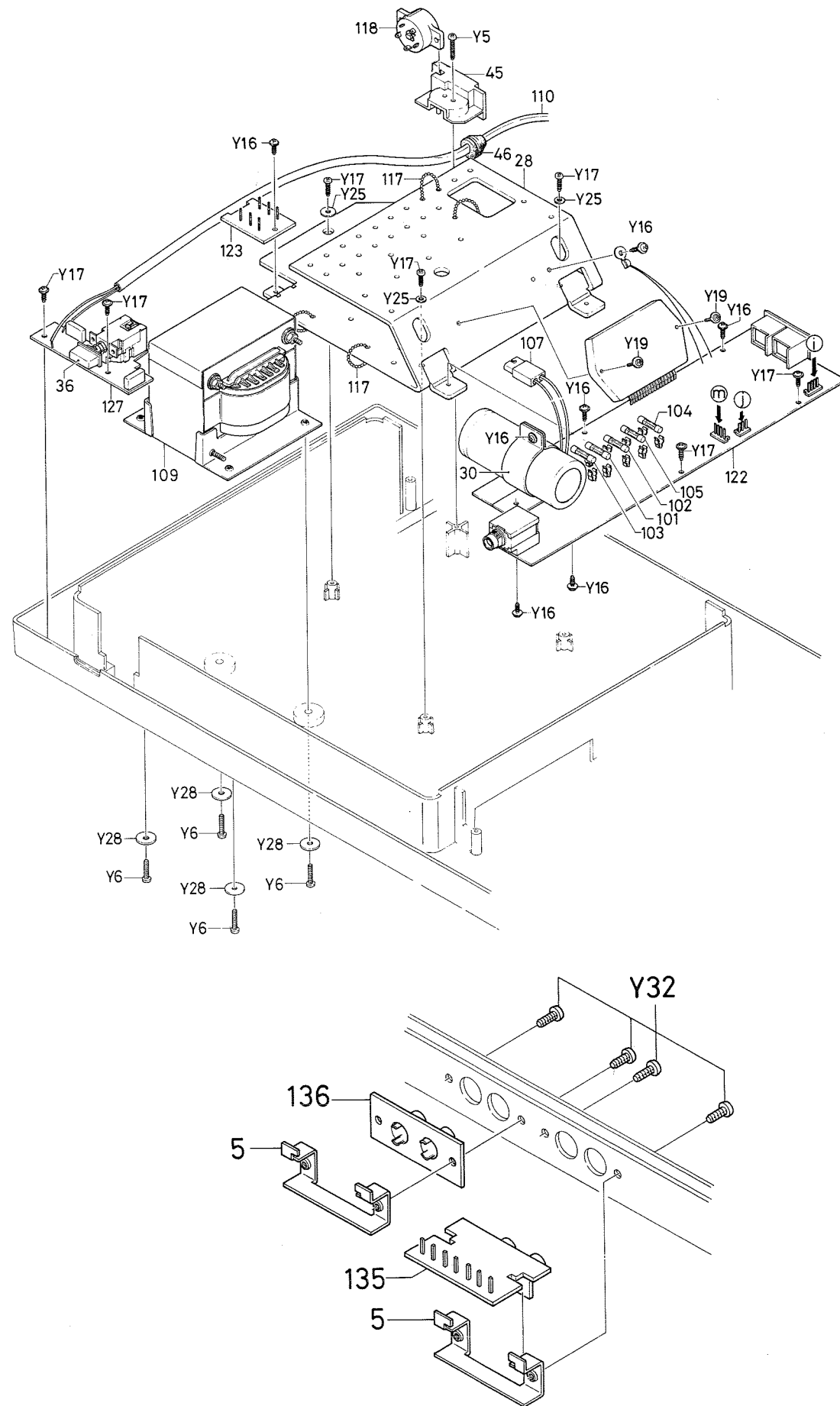
| Ref. No.                  | Part No.         | Description   | Q'ty | Ref. No.                  | Part No.         | Description   | Q'ty |
|---------------------------|------------------|---|------|---------------------------|------------------|---|------|
| <b>EQUALIZER PCB ASSY</b> |                  |   |      | <b>VOLUME PCB ASSY</b>    |                  |   |      |
| 120                       | 140-9-230T-82600 | Printed Circuit Board Assembly, Equalizer                         | 1    |                           |                  | <b>RESISTORS</b>  |      |
|                           | 4-236T-10271     | Plug, Phono Input 4 pin   | 1    |                           |                  | All resistors are Carbon P type ±10% 1/4W unless otherwise noted. |      |
| IC751,851                 | 4-236T-10275     | Plug, Phono AUX out 8 pin IC μPC1024H or TA7129P                  | 2    | R964                      |                  | 100 ohm   | 1    |
|                           |                  | <b>CAPACITORS</b>   |      | R771,871                  |                  | 680 ohm   | 2    |
| C753,853                  |                  | Ceramic 68pF ±10% 50WV  | 2    | R781,881                  |                  | 1k ohm  | 2    |
| C757,857                  |                  | Ceramic 220pF ±10% 50WV   | 2    | R775,777,                 |                  | 2.2k ohm  | 4    |
| C756,856                  |                  | Mylar 0.0047μF, ±5% 50WV  | 2    | 875,877                   |                  |   |      |
| C755,855                  |                  | Mylar 0.018μF ±5% 50WV  | 2    | R772,872                  |                  | 4.7k ohm  | 2    |
| C751,851                  |                  | Electrolytic 3.3μF 25WV   | 2    | R768,868                  |                  | 5.6k ohm  | 2    |
| C754                      |                  | Electrolytic 4.7μF 25WV   | 2    | R769,778,                 |                  | 6.8k ohm  | 4    |
| 854                       |                  |   |      | 869,878                   |                  |   |      |
| C752,852                  |                  | Electrolytic 100μF 6.3WV  | 2    | R783,883                  |                  | 12k ohm   | 2    |
| C988                      |                  | Electrolytic 100μF 35WV   | 1    | R773,774,                 |                  | 18k ohm   | 6    |
|                           |                  | <b>RESISTORS</b>  |      | 776,873,                  |                  |   |      |
|                           |                  | All resistors are Carbon P type ±10% 1/4W unless otherwise noted. |      | 874,876                   |                  |   |      |
| R968                      |                  | 220 ohm   | 1    | R779,879                  |                  | 680k ohm  | 2    |
| R754,854                  |                  | Carbon 270 ohm ±5% 1/4W   | 2    | R770,870                  |                  | 1M ohm  | 2    |
| R751                      |                  | 1k ohm  | 2    | R780,880                  |                  | 1.8M ohm  | 2    |
| 851                       |                  |   |      |                           |                  |   |      |
| R756,856                  |                  | Carbon 8.2k ohm ±5% 1/4W  | 2    | <b>POWER AMP PCB ASSY</b> |                  |   |      |
| R758,858                  |                  | Carbon 15k ohm ±5% 1/4W   | 2    | 122                       | 140-9-230T-33600 | Printed Circuit Board Assembly, Power AMP                         | 1    |
| R752,753,                 |                  | 100k ohm  | 4    |                           | 4-235T-36700     | Socket, Headphone   | 1    |
| 852,853                   |                  |   |      |                           | 4-235T-31500     | Socket, Speaker   | 2    |
| R757,857                  |                  | Carbon 120k ohm ±5% 1/4W  | 2    |                           | 141-2-381T-01800 | Bracket, Fuse Holder  | 10   |
| R789,889                  |                  | 4.7K ohm  | 2    |                           | 4-236T-10271     | Plug, 4 pin   | 2    |
| R759                      |                  | 470k ohm  | 2    |                           | 4-236T-10200     | Plug, 3 pin Power AMP input                                       | 1    |
| 859                       |                  |   |      | P951                      | 4-237T-00100     | Terminal  | 28   |
| R755,855                  |                  | 820k ohm  | 2    |                           | 4-209T-01100     | Positive Characteristic Thermistor PTH487A01 or BG471TS           | 1    |
|                           |                  |   |      | C986                      | 4-223T-04600     | Electrolytic 4.7μF 35WV Non Polar                                 | 1    |
|                           |                  |   |      | IC951                     | 4-206T-00600     | IC STK-014  | 1    |
|                           |                  |   |      | Q951                      |                  | Transistor 2SC1175  | 1    |
|                           |                  |   |      | Q952                      |                  | Transistor 2SD438   | 1    |
|                           |                  |   |      | Q953                      |                  | Transistor 2SK30A   | 1    |
|                           |                  |   |      | Q954                      |                  | Transistor 2SD545   | 1    |
|                           |                  |   |      | Q955                      |                  | Transistor 2SD325   | 1    |
|                           |                  |   |      | Q751,851                  |                  | Transistor 2SD467   | 2    |
|                           |                  |   |      | Q960                      |                  | Transistor 2SC536 or 2SC828                                       | 1    |
|                           |                  |   |      | D951,952                  |                  | Diode DS442 or 1S2473   | 2    |
|                           |                  |   |      | D953                      |                  | Diode WZ061   | 1    |
|                           |                  |   |      | D954                      |                  | Diode WZ1301  | 1    |
|                           |                  |   |      | D955                      |                  | Diode WZ177   | 1    |
|                           |                  |   |      | D956,957,                 |                  | Diode DS150K  | 4    |
|                           |                  |   |      | 958,959                   |                  |   |      |
|                           |                  |   |      | D960,962                  |                  | Diode DS17  | 2    |
|                           |                  |   |      | D961,963                  |                  | Diode DS18  | 2    |
|                           |                  |   |      | C760,860                  |                  |   |      |
|                           |                  |   |      | C952                      |                  | <b>CAPACITORS</b>   |      |
|                           |                  |   |      | C761,861,                 |                  | Ceramic 470pF ±5% 50WV  | 2    |
|                           |                  |   |      | 962,963,                  |                  | Ceramic 0.001μF +80-20% 50WV                                      | 1    |
|                           |                  |   |      | 964,965,                  |                  | Ceramic 0.01μF +80-20% 50WV                                       | 10   |
|                           |                  |   |      | 966,967,                  |                  |   |      |
|                           |                  |   |      | 968,969                   |                  |   |      |
|                           |                  |   |      | C954,955,                 |                  | Ceramic 0.01μF +80-20% 500WV                                      | 5    |
|                           |                  |   |      | 956,957,                  |                  |   |      |
|                           |                  |   |      | 960                       |                  |   |      |
|                           |                  |   |      | C961                      |                  | Ceramic 0.047μF +80-20% 50WV                                      | 1    |
|                           |                  |   |      | C778,878                  |                  | Mylar 0.022μF ±20% 50WV   | 2    |
|                           |                  |   |      | C759,859                  |                  | Electrolytic 0.47μF 16WV  | 2    |
|                           |                  |   |      | C758,858                  |                  | Electrolytic 10μF 50WV  | 2    |
|                           |                  |   |      | C983,990                  |                  | Electrolytic 100μF 16WV   | 2    |
|                           |                  |   |      | C763,863,                 |                  | Electrolytic 100μF 25WV   | 3    |
|                           |                  |   |      | 982                       |                  |   |      |
|                           |                  |   |      | C951                      |                  | Electrolytic 100μF 35WV   | 1    |
|                           |                  |   |      | C762,862                  |                  | Electrolytic 220μF 16WV   | 2    |
|                           |                  |   |      | C989                      |                  | Electrolytic 220μF 50WV   | 1    |
|                           |                  |   |      | C980                      |                  | Electrolytic 1000μF 25WV  | 1    |
|                           |                  |   |      | C764,864                  |                  | Electrolytic 1000μF 35WV  | 2    |
|                           |                  |   |      | C981                      |                  | Electrolytic 2200μF 10WV  | 1    |
|                           |                  |   |      | C958                      |                  | Electrolytic 4700μF 63WV  | 1    |
|                           |                  |   |      |                           |                  |   |      |
| <b>VOLUME PCB ASSY</b>    |                  |   |      |                           |                  |   |      |
| 121                       | 141-9-230T-23900 | Printed Circuit Board Assembly, VOLUME                            | 1    |                           |                  |   |      |
| VR751,851                 | 4-222T-45071     | Variable Resistor 50k (A), Record Level                           | 2    |                           |                  |   |      |
| VR951                     | 4-222T-51900     | Variable Resistor 100k (B), Main Volume                           | 1    |                           |                  |   |      |
| VR952,953                 | 4-222T-52000     | Variable Resistor 100k (B) with Click point, Bass & Treble        | 2    |                           |                  |   |      |
| VR954                     | 4-222T-42972     | Variable Resistor 100k (W), Balance                               | 1    |                           |                  |   |      |
| S6                        | 4-231T-47600     | Switch, Tape Select   | 1    |                           |                  |   |      |
| S7                        | 4-231T-50000     | Switch, Loudness  | 1    |                           |                  |   |      |
| S8                        | 4-231T-50071     | Switch, Dolby   | 1    |                           |                  |   |      |
|                           | 4-236T-10289     | Plug, 22 pin  | 1    |                           |                  |   |      |
|                           | 4-236T-10200     | Plug 3pin   | 1    |                           |                  |   |      |
| Q752,753,                 |                  | Transistor 2SC1327 or 2SC1571                                     | 4    |                           |                  |   |      |
| 852,853                   |                  |   |      |                           |                  |   |      |
|                           |                  | <b>CAPACITORS</b>   |      |                           |                  |   |      |
| C767,867                  |                  | Ceramic 20pF ±10% 50WV  | 2    |                           |                  |   |      |
| C775,875                  |                  | Ceramic 330pF ±5% 50WV  | 2    |                           |                  |   |      |
| C771,871                  |                  | Mylar 0.001μF ±5% 50WV  | 2    |                           |                  |   |      |
| C769,770,                 |                  | Mylar 0.022μF ±5% 50WV  | 4    |                           |                  |   |      |
| 869,870                   |                  |   |      |                           |                  |   |      |
| C774,874                  |                  | Mylar 0.033μF ±5% 50WV  | 2    |                           |                  |   |      |
| C765,773,                 |                  | Electrolytic 0.47μF 16WV  | 4    |                           |                  |   |      |
| 865,873                   |                  |   |      |                           |                  |   |      |
| C768,868                  |                  | Electrolytic 4.7μF 25WV   | 2    |                           |                  |   |      |
| C772,872                  |                  | Electrolytic 10μF 25WV  | 2    |                           |                  |   |      |
| C766,866                  |                  | Electrolytic 100μF 6.3WV  | 2    |                           |                  |   |      |
| C987                      |                  | Electrolytic 100μF 25WV   | 1    |                           |                  |   |      |

PARTS LIST

| Ref. No.                      | Part No.         | Description   | Q'ty | Ref. No.                     | Part No.         | Description                              | Q'ty |
|-------------------------------|------------------|---|------|------------------------------|------------------|--|------|
| <b>POWER AMP PCB ASSY</b>     |                  |   |      | <b>METER PCB ASSY</b>        |                  |  |      |
|                               |                  | <b>RESISTORS</b><br>All resistors are Carbon P type ±10% 1/4W unless otherwise noted. |      | 128                          | 140-9-230T-48900 | Printed Circuit Board Assembly, Meter    | 1    |
| R958                          |                  | Solid 5.6 ohm ±10% 1/2W   | 1    |                              | 4-511T-07800     | Meter, VU                                | 2    |
| R962                          |                  | Metal Oxide Film 5.6 ohm ±10% 2W  | 1    |                              | 4-511T-07871     | Meter, Tuning                            | 1    |
| R960                          |                  | Metal Oxide Film 18 ohm ±10% 2W   | 1    |                              | 4-236T-11174     | Plug, 7 pin                              | 4    |
| R951                          |                  | Solid 56 ohm ±10% 1/2W  | 1    |                              | 4-612T-07300     | Pilot Lamp 6.3V 300mA                    | 1    |
| R966                          |                  | Solid 100 ohm ±10% 1/2W   | 1    |                              | 4-237T-00100     | Terminal, Wrapper Pin                    | 2    |
| R764,864                      |                  | 220 ohm   | 2    | C390                         |                  | Capacitor Ceramic 100pF 50WV             | 1    |
| R767,867                      |                  | Metal Oxide Film 150 ohm ±10% 2W  | 2    | <b>MAIN AMP PCB ASSY</b>     |                  |  |      |
| R952                          |                  | Metal Oxide Film 220 ohm ±10% 2W  | 1    | 129                          | 140-9-230T-24100 | Printed Circuit Board Assembly, Main AMP | 1    |
| R956,957                      |                  | 330 ohm   | 2    |                              | 4-235T-36600     | Socket, Microphone                       | 2    |
| R961                          |                  | 560 ohm   | 1    | S3                           | 4-231T-60800     | Switch, Beat Cancel                      | 1    |
| R766,866,959                  |                  | 1K ohm  | 3    | S2                           | 4-231T-39871     | Switch, Record/Playback                  | 1    |
| R955                          |                  | 8.2k ohm  | 1    | S1                           | 4-231T-45672     | Switch, Record/Playback                  | 1    |
| R765,865,967                  |                  | 10k ohm   | 3    |                              | 4-236T-10279     | Plug 22 pin, to Connector P.C.B.         | 1    |
| R954                          |                  | 22k ohm   | 1    |                              | 4-236T-10275     | Plug 8 pin, to R/P Head & E Head         | 1    |
| R965,971                      |                  | 56k ohm   | 2    |                              | 4-222T-39577     | Semi Fixed Resistor 50k(B)               | 2    |
| R953                          |                  | 68k ohm   | 1    | SVR701,801                   | 4-222T-39574     | Semi Fixed Resistor 5k(B)                | 2    |
| R761,763,861,863              |                  | 220k ohm  | 4    | SVR702,802                   | 4-222T-39576     | Semi Fixed Resistor 20k(B)               | 2    |
| R762,862                      |                  | 390k ohm  | 2    | SVR703,803                   | 4-222T-39578     | Semi Fixed Resistor 100k(B)              | 2    |
| R970                          |                  | 560k ohm  | 1    | SVR704,804                   | 4-253T-01019     | High Frequency Choke Coil 4.7mH          | 2    |
| R790,890                      |                  | Solid 4.7 ohm ±10% 1/2W   | 2    | L701,801                     | 4-252T-05200     | Choke Coil 10mH                          | 2    |
| <b>AMP CONNECTOR PCB ASSY</b> |                  |   |      |                              |                  | Transistor 2SC1327S or 2SC1571G          | 4    |
| 123                           | 140-9-230T-00200 | Printed Circuit Board Assembly, Power AMP Connector                                   | 1    |                              |                  | Transistor 2SC536G AUD                   | 6    |
| <b>FUNCTION PCB ASSY</b>      |                  |   |      |                              |                  | OSC Pack                                 | 1    |
| 124                           | 140-9-230T-00300 | Printed Circuit Board Assembly, Function  | 1    | D701,801                     | 4-258T-10275     | Diode 1S188AM                            | 2    |
|                               | 4-235T-37076     | Socket 9 pin  | 1    | D702,802                     |                  | Diode DS442 or 1S2473                    | 2    |
| <b>FUNCTION PCB ASSY</b>      |                  |   |      |                              |                  | <b>CAPACITORS</b>                        |      |
| 125                           | 140-9-230T-18700 | Printed Circuit Board Assembly, Function  | 1    | C722,822                     |                  | Ceramic 35pF ±1pF 50WV                   | 2    |
|                               | 4-231T-61100     | Switch, Input Select  | 1    | C718,818                     |                  | Ceramic 100pF ±10% 50WV                  | 2    |
|                               | 4-235T-37076     | Socket, 9 pin   | 1    | C717,817                     |                  | Ceramic 150pF ±5% 50WV                   | 2    |
| R701,801                      |                  | Carbon 47k ohm ±10% 1/4W  | 2    | C704,724,804,824             |                  | Ceramic 220pF ±10% 50WV                  | 4    |
| <b>CONNECTOR PCB ASSY</b>     |                  |   |      |                              |                  | Ceramic 470pF ±5% 50WV                   | 2    |
| 126                           | 140-9-230T-24300 | Printed Circuit Board Assembly, Connector   | 1    | C716,816                     |                  | Ceramic 680pF ±10% 50WV                  | 2    |
|                               | 4-235T-38779     | Socket, 22 pin  | 2    | C702,802                     |                  | Ceramic 0.001μF ±20% 50WV                | 2    |
|                               | 4-235T-38772     | Socket, 15 pin  | 1    | C715,815                     |                  | Ceramic 560pF ±10% 50WV                  | 2    |
|                               | 4-235T-38794     | Socket, 7 pin unlock  | 1    | C723,823                     |                  | Mylar 0.0033μF ±5% 50WV                  | 1    |
|                               | 4-235T-37075     | Socket, 8 pin   | 1    | C667                         |                  | Mylar 0.0039μF ±10% 50WV                 | 2    |
|                               | 4-235T-37074     | Socket, 7 pin lock  | 1    | C704,809                     |                  | Mylar 0.0068μF ±5% 50WV                  | 2    |
|                               | 4-236T-10276     | Plug, 9 pin   | 2    | C705,805                     |                  | Mylar 0.027μF ±10% 50WV                  | 2    |
|                               | 4-236T-10274     | Plug, 7 pin   | 1    | C714,814                     |                  | Mylar 0.1μF ±20% 50WV                    | 1    |
| <b>POWER SUPPLY PCB ASSY</b>  |                  |   |      |                              |                  | Electrolytic 0.47μF 10WV                 | 2    |
| 127                           | 140-9-230T-22600 | Printed Circuit Board Assembly, Power Supply  | 1    | C712,713,719,812,813,819,903 |                  | Electrolytic 1μF 25WV                    | 7    |
| S14                           | 4-231T-60900     | Switch, Power   | 1    | C707,807                     |                  | Electrolytic 4.7μF 6.3WV                 | 2    |
| C984,985                      | 4-237T-00100     | Terminal, Wrapper Pin   | 2    | C703,706,708,803,806,808     |                  | Electrolytic 4.7μF 25WV                  | 6    |
|                               | 4-223T-04700     | Capacitor 0.047μF, Noise Cancelar   | 2    | C904                         |                  | Electrolytic 47μF 16WV                   | 1    |
|                               |                  |   |      | C905                         |                  | Electrolytic 100μF 16WV                  | 1    |
|                               |                  |   |      | C906                         |                  | Electrolytic 220μF 16WV                  | 1    |
|                               |                  |   |      | <b>RESISTORS</b>             |                  |  |      |
|                               |                  |   |      | R702,802                     |                  | 10 ohm                                   | 2    |
|                               |                  |   |      | R689                         |                  | Solid 56 ohm ±10% 1/2W                   | 1    |
|                               |                  |   |      | R720,820                     |                  | 150 ohm                                  | 2    |
|                               |                  |   |      | R688                         |                  | Solid 220 ohm ±10% 1/2W                  | 1    |
|                               |                  |   |      | R705,805                     |                  | 180 ohm                                  | 2    |
|                               |                  |   |      | R721,821                     |                  | 220 ohm                                  | 2    |
|                               |                  |   |      | R710,810                     |                  | 820 ohm                                  | 2    |

EXPLODED VIEW (CHASSIS)





| Ref. No.                      | Part No.         | Description   | Q'ty | Ref. No.                                      | Part No.         | Description                                      | Q'ty |
|-------------------------------|------------------|---|------|---|------------------|--|------|
| <b>MAIN AMP PCB ASSY</b>      |                  |   |      | <b>SUB VOLUME PCB ASSY</b>                    |                  |  |      |
| R722, 732, 822, 832, 903      |                  | 1k ohm  | 5    | 130   | 4-230T-34900     | Printed Circuit Board, Attached to Volume P.C.B. | 1    |
| R729, 829                     |                  | 1.5k ohm  | 2    | <b>TUNER PCB ASSY</b>                         |                  |  |      |
| R716, 816                     |                  | 1.8k ohm  | 2    | 131   | 140-9-230T-44800 | Printed Circuit Board Assembly, Tuner            | 1    |
| R703                          |                  | 3.3k ohm  | 1    |   | 141-2-322T-35800 | Shield Plate, FM IF                              | 1    |
| R723, 725, 823, 825           |                  | 4.7k ohm  | 4    |   | 141-2-323T-00100 | Shield Box                                       | 1    |
| R718, 818                     |                  | 5.6k ohm  | 2    |   | 4-236T-10280     | Plug 15 Pin, Tuner-Connector                     | 1    |
| R709, 712, 724, 809, 812, 824 |                  | 6.8k ohm  | 6    |   | 4-235T-37100     | Socket, FM DIN                                   | 1    |
| R715, 815                     |                  | 8.2k ohm  | 2    |   | 4-235T-37200     | Socket, AM DIN                                   | 1    |
| R704, 731, 804, 831           |                  | 10k ohm   | 4    |   | 141-2-322T-36000 | Shield plate                                     | 1    |
| R711, 811                     |                  | Carbon 15k ohm ±5% 1/4W   | 2    |   | 141-2-322T-38500 | Shield plate FM OSC                              | 1    |
| R728, 828                     |                  | 18k ohm   | 2    | RL151, 152, 153                               | 4-232T-04500     | Relay  | 3    |
| R727, 827, 902                |                  | 22k ohm   | 3    |   | 4-236T-10280     | Plug 13 Pin, Tuner-Band Select                   | 1    |
| R719, 730, 819, 830           |                  | 47k ohm   | 4    | TP101, 102, 201, 202, 203, 204, 205, 206, 301 | 4-237T-00100     | Terminal Board                                   | 9    |
| R706, 806                     |                  | 100k ohm  | 2    |   | 123-2-472R-00401 | Lug, VC  | 2    |
| R734, 834                     |                  | 180k ohm  | 2    | L103  | 4-265T-03530     | VHF Coil   | 1    |
| R708, 726, 808, 826           |                  | 220k ohm  | 4    | L104  | 4-253R-11160     | RF Choke Coil                                    | 1    |
| R713, 724, 813, 824           |                  | 470k ohm  | 4    | L151  | 4-253R-12900     | RF Choke Coil                                    | 1    |
| R901                          |                  | 680k ohm  | 1    | L152  | 4-257T-24330     | Antenna Coil, SW2                                | 1    |
|                               |                  |   |      | L153  | 4-257T-24401     | Antenna Coil Assembly, SW1 & MW                  | 1    |
| <b>(DOLBY PCB SELECTION)</b>  |                  |   |      | L154  | 4-258T-17130     | OSC Coil, SW2                                    | 1    |
|                               | 4-235T-32100     | or Socket, IC   | 2    | L156  | 4-258T-17230     | OSC Coil, SW1                                    | 1    |
|                               | 4-235T-32400     | Plug  | 2    | L158  | 4-253R-11160     | RF Choke Coil                                    | 1    |
|                               | 4-236T-09600     | Shield Plate, L502 Y M552 Mtg.  | 2    | L159  | 4-265R-00300     | VHF Coil   | 1    |
|                               | 141-2-322T-33300 | Diode 1S188AM   | 2    | L201  | 4-252T-06300     | Choke Coil                                       | 1    |
| D502, 552                     | 4-252T-05600     | Low Frequency Choke Coil  | 4    | T101  | 4-256R-20831     | I.F.T  | 1    |
| L501, 551                     | 4-252T-02800     | Low Frequency Choke Coil  | 2    | T201  | 4-256R-15831     | I.F.T 10.7MHz                                    | 1    |
| L502, 552                     |                  | 23mH Variable IC NE545B   | 2    | T202  | 4-256R-00231     | I.F.T 455KHz                                     | 1    |
| IC501, 551                    |                  | <b>CAPACITORS</b>   |      | T203  | 4-256T-08330     | I.F.T FM   | 1    |
|                               |                  | Ceramic 150pF ±5% 50WV  | 2    | T204  | 4-256T-08430     | I.F.T FM   | 1    |
|                               |                  | Mylar 0.0022µF ±20% 50WV  | 2    | L101  | 4-257T-23630     | ANT Coil   | 1    |
|                               |                  | Mylar 0.0027µF ±20% 50WV  | 2    | L102  | 4-265T-04230     | VHF Coil   | 1    |
|                               |                  | Mylar 0.0039µF ±20% 50WV  | 2    | L155  | 4-258T-14930     | OSC Coil   | 1    |
|                               |                  | Mylar 0.0047µF ±5% 50WV   | 2    | T151  | 4-256T-07800     | IFT  | 1    |
|                               |                  | Mylar 0.0056µF ±5% 50WV   | 2    | CF102   | 4-256T-80400     | IF Filter  | 2    |
|                               |                  | Mylar 0.027µF ±5% 50WV  | 2    |   | 4-256T-80471     |  |      |
|                               |                  | Mylar 0.047µF ±5% 50WV  | 2    |   | 4-256T-80472     | CR Pack  | 2    |
|                               |                  | Electrolytic 0.1µF 10WV   | 4    | CR301, 302                                    | 4-227T-01410     |  |      |
|                               |                  | Electrolytic 0.33µF 10WV  | 2    | CT101, 102                                    | 4-227T-01400     | Variable Capacitor 10pF                          | 8    |
|                               |                  | Electrolytic 1µF 25WV   | 4    | 151, 152, 153, 154, 155, 156                  | 4-224R-11671     |  |      |
|                               |                  | Electrolytic 10µF 16WV  | 6    | R125, 126                                     | 4-222T-39574     | Variable Resistor                                | 3    |
|                               |                  | Electrolytic 47µF 16WV  | 2    | 302   | 4-224T-07700     | Variable Capacitor                               | 1    |
|                               |                  | Electrolytic 220µF 10WV   | 2    | R128, CV151, 152                              | 4-222T-39573     | Volume Control                                   | 2    |
|                               |                  | <b>RESISTORS</b>  |      | R204, 306                                     | 4-222T-39572     | Semi Variable Resistor                           | 1    |
|                               |                  | All resistors are Carbon P type ±10% 1/4W unless otherwise noted.                               |      | R206  | 4-222T-39572     | Volume Control                                   | 1    |
| R502, 508, 552, 558           |                  | 180 ohm   | 4    | R217  | 4-222T-39577     | Transistor 2SK61Y FET                            | 1    |
| R501, 511, 551, 561           |                  | 1k ohm  | 4    | Q101  |                  | Transistor 2SC535B                               | 1    |
| R506, 556                     |                  | Carbon 3.3k ohm ±5% 1/4W  | 2    | Q102  |                  | Transistor 2SC930E IF                            | 1    |
| R507, 557                     |                  | Carbon 47k ohm ±5% 1/4W   | 2    | Q103  |                  | Transistor 2SC930D CON.                          | 1    |
| R509, 559                     |                  | 100k ohm  | 2    | Q104  |                  | Transistor 2SC930E CON.                          | 2    |
| R505, 555                     |                  | Carbon 150k ohm ±5% 1/4W  | 2    | Q151, 152                                     |                  | Transistor 2SC930D CON.                          | 2    |
| R504, 554                     |                  | 270k ohm  | 2    | Q153, 154                                     |                  | Transistor 2SC536E                               | 2    |
| R503, 553                     |                  | Carbon 650k ohm ±5% 1/4W  | 2    | Q301, 302                                     |                  | Transistor 2SB598E                               | 1    |
|                               | 140-9-230T-24200 | Use this parts number to order Dolby P.C.B Assembly since this P.C.B. is mounted on Main P.C.B. | 2    | Q351  |                  | Transistor 2SC536F                               | 1    |
|                               |                  |   |      | Q352  |                  | IC LA1201B1                                      | 1    |
|                               |                  |   |      | IC201   |                  | IC LA3350A                                       | 1    |
|                               |                  |   |      | IC301   |                  | Diode 1S153A                                     | 3    |
|                               |                  |   |      | D101, 103                                     |                  | Diode 1S2473                                     | 14   |
|                               |                  |   |      | 105   |                  |  |      |
|                               |                  |   |      | D102, 151                                     |                  |  |      |
|                               |                  |   |      | 155, 203                                      |                  |  |      |
|                               |                  |   |      | 204, 213                                      |                  |  |      |
|                               |                  |   |      | 107, 109                                      |                  |  |      |

PARTS LIST

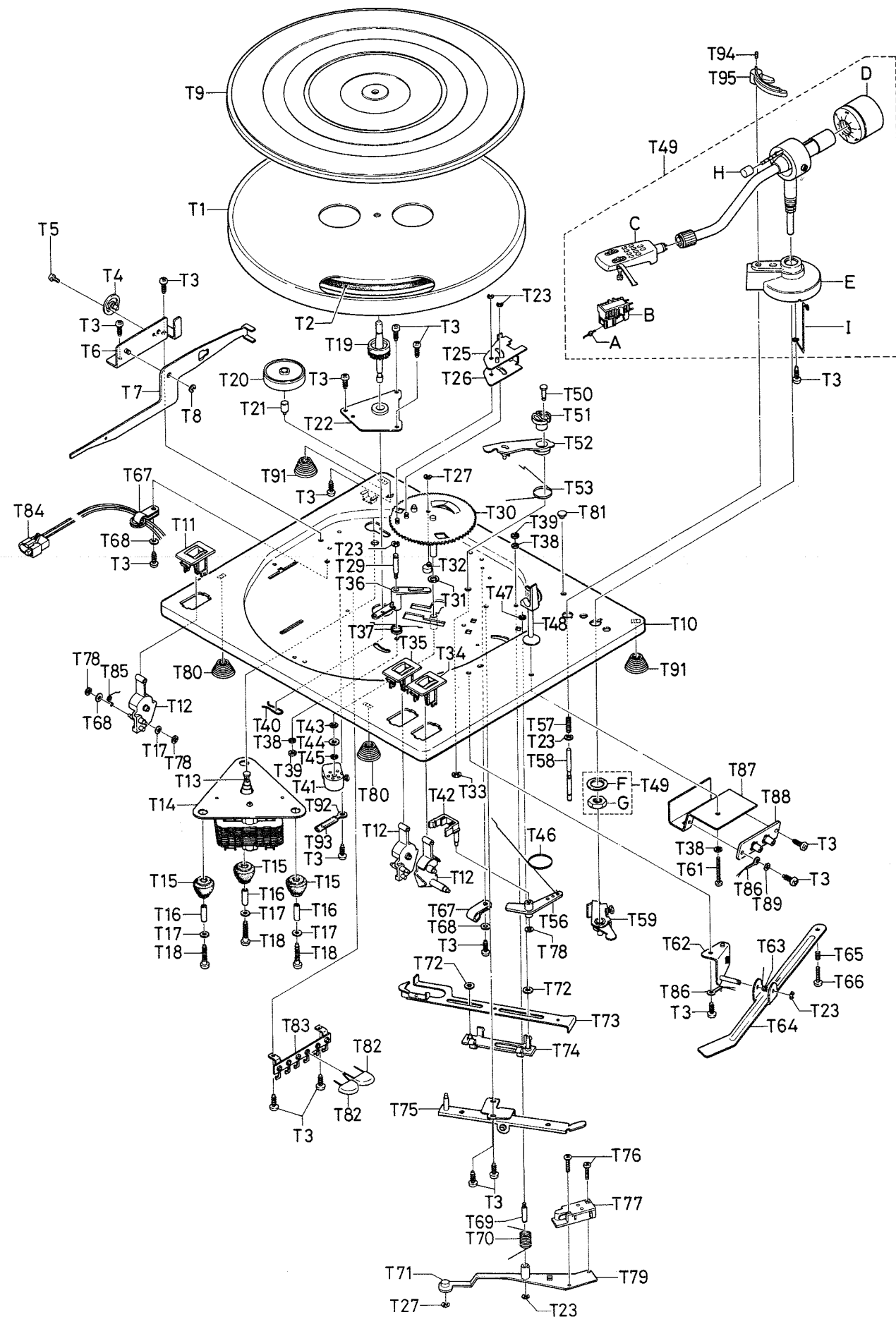
| Ref. No.              | Part No. | Description                        | Q'ty | Ref. No.              | Part No. | Description              | Q'ty |
|-----------------------|----------|------------------------------------|------|-----------------------|----------|--------------------------|------|
| <b>TUNER PCB ASSY</b> |          |                                    |      | <b>TUNER PCB ASSY</b> |          |                          |      |
| 302, 351              |          |                                    |      | <b>RESISTORS</b>      |          |                          |      |
| 352, 353              |          |                                    |      | R179                  |          | Carbon 10 ohm ±5% 1/4W   | 1    |
| D104                  |          | Diode 1S553                        | 1    | R350                  |          | Solid 10 ohm ±10% 1/2W   | 1    |
| D106                  |          | Diode 1S2472                       | 1    | R172                  |          | Carbon 39 ohm ±5% 1/4W   | 1    |
| D153, 156             |          | Diode 1S2473 or DS442              | 8    | R176                  |          | Carbon 56 ohm ±5% 1/4W   | 1    |
| 157, 201              |          |                                    |      | R105, 115             |          | Carbon 100 ohm ±5% 1/4W  | 3    |
| 108, 354              |          |                                    |      | 104                   |          |                          |      |
| 211, 212              |          |                                    |      | R163, 155             |          | Carbon 100 ohm ±5% 1/4W  | 3    |
| D152                  |          | Diode MV11                         | 1    | 312                   |          |                          |      |
| D154                  |          | Diode WZ061                        | 1    | R111                  |          | Carbon 110 ohm ±5% 1/4W  | 1    |
| D158, 202             |          | Diode 1S2692A                      | 2    | R205                  |          | Carbon 150 ohm ±5% 1/4W  | 1    |
| D205, 206             |          | Diode 1S188 FM                     | 2    | R103, 164             |          | Carbon 270 ohm ±5% 1/4W  | 3    |
|                       |          | <b>CAPACITORS</b>                  |      | 211                   |          |                          |      |
| C128                  |          | Ceramic 2pF ±0.25pF 50WV           | 1    | R114, 116             |          | Carbon 330 ohm ±5% 1/4W  | 2    |
| C113                  |          | Ceramic 3pF ±0.25pF 50WV           | 1    | R315, 322             |          | Carbon 390 ohm ±5% 1/4W  | 2    |
| C112, 125             |          | Ceramic 5pF ±0.25pF 50WV           | 4    | R182                  |          | Carbon 470 ohm ±5% 1/4W  | 1    |
| 157, 153              |          |                                    |      | R124, 208             |          | Carbon 560 ohm ±5% 1/4W  | 2    |
| C165                  |          | Ceramic 7pF ±0.25pF 50WV           | 1    | R157, 352             |          | Carbon 560 ohm ±5% 1/4W  | 2    |
| C134                  |          | Ceramic 8pF ±0.5pF 50WV            | 1    | R152                  |          | Carbon 680 ohm ±5% 1/4W  | 1    |
| C132, 150             |          | Ceramic 10pF ±5% 50WV              | 2    | R173, 212             |          | Carbon 1k ohm ±5% 1/4W   | 7    |
| C131, 133             |          | Ceramic 15pF ±5% 50WV              | 3    | 224, 225              |          |                          |      |
| 100                   |          |                                    |      | 307, 323              |          |                          |      |
| C171                  |          | Ceramic 12pF ±5% 50WV              | 1    | 355                   |          |                          |      |
| C152, 158             |          | Ceramic 22pF ±10% 50WV             | 2    | R132, 100             |          | Carbon 1k ohm ±5% 1/4W   | 3    |
| C163, 160             |          | Ceramic 30pF ±5% 50WV              | 3    | 231                   |          |                          |      |
| 207                   |          |                                    |      | R127                  |          | Carbon 1.5k ohm ±5% 1/4W | 1    |
| C102, 224             |          | Ceramic 100pF ±10% 50WV            | 6    | R108, 161             |          | Carbon 2.2k ohm ±5% 1/4W | 2    |
| 211, 222              |          |                                    |      | R119, 218             |          | Carbon 2.2k ohm ±5% 1/4W | 2    |
| 223, 231              |          |                                    |      | R171, 173             |          | Carbon 3.3k ohm ±5% 1/4W | 3    |
| C115                  |          | Ceramic 470pF ±20% 50WV            | 1    | 203                   |          |                          |      |
| C104, 114             |          | Ceramic 0.001µF +80 -20% 50WV      | 2    | R156, 150             |          | Carbon 3.3k ohm ±5% 1/4W | 5    |
| C103, 111             |          | Ceramic 0.0022µF ±10% 50WV         | 3    | 304, 326              |          |                          |      |
| 126                   |          |                                    |      | 357                   |          |                          |      |
| C105, 106             |          | Ceramic 0.01µF +80 -20% 50WV       | 6    | R313, 317             |          | Carbon 3.9k ohm ±5% 1/4W | 2    |
| 116, 118              |          |                                    |      | R134, 308             |          | Carbon 4.7k ohm ±5% 1/4W | 3    |
| 136, 213              |          |                                    |      | 311                   |          |                          |      |
| C117, 121             |          | Ceramic 0.022µF +80 -20% 50WV      | 16   | R136, 165             |          | Carbon 5.6k ohm ±5% 1/4W | 6    |
| 122, 137              |          |                                    |      | 202, 214              |          |                          |      |
| 141, 142,             |          |                                    |      | 215, 361              |          |                          |      |
| 186, 201              |          |                                    |      | R174, 222             |          | Carbon 5.6k ohm ±5% 1/4W | 4    |
| 202, 203              |          |                                    |      | 226, 227              |          |                          |      |
| 204, 212              |          |                                    |      | R159                  |          | Carbon 6.8k ohm ±5% 1/4W | 1    |
| 214, 217              |          |                                    |      | R170                  |          | Carbon 6.8k ohm ±5% 1/4W | 1    |
| 232, 187              |          |                                    |      | R303                  |          | Carbon 8.2k ohm ±5% 1/4W | 1    |
| C168                  |          | Styrol 440pF ±5% 125WV             | 1    | R135, 301             |          | Carbon 10k ohm ±5% 1/4W  | 3    |
| C183, 301             |          | Styrol 1500pF ±5% 50WV             | 2    | 358                   |          |                          |      |
| C161                  |          | Styrol 5400pF ±5% 50WV             | 1    | R216, 305             |          | Carbon 10k ohm ±5% 1/4W  | 2    |
| C123, 155             |          | Mylar 0.001µF ±20% 50WV            | 4    | R158, 223             |          | Carbon 12k ohm ±5% 1/4W  | 4    |
| 311, 313              |          |                                    |      | 230, 356              |          |                          |      |
| C209                  |          | Mylar 0.0022µF ±20% 50WV           | 1    | R109, 177             |          | Carbon 15k ohm ±5% 1/4W  | 2    |
| C159                  |          | Mylar 0.0027µF ±10% 50WV           | 1    | R131, 151             |          | Carbon 15k ohm ±5% 1/4W  | 5    |
| C166                  |          | Mylar 0.0033µF ±20% 50WV           | 1    | 316, 321              |          |                          |      |
| C156                  |          | Mylar 0.0047µF ±20% 50WV           | 1    | 364                   |          |                          |      |
| C162, 164             |          | Mylar 0.022µF ±20% 50WV            | 5    | R123                  |          | Carbon 20k ohm ±5% 1/4W  | 1    |
| 185, 208, 205         |          |                                    |      | R153                  |          | Carbon 22k ohm ±5% 1/4W  | 1    |
| C351                  |          | Mylar 0.033µF ±20% 50WV            | 1    | R166                  |          | Carbon 27k ohm ±5% 1/4W  | 1    |
| C302                  |          | Mylar 0.047µF ±20% 50WV            | 1    | R162, 167             |          | Carbon 33k ohm ±5% 1/4W  | 4    |
| C216                  |          | Aluminum Electrolytic 0.1µF 10WV   | 1    | 175, 351              |          |                          |      |
| C304                  |          | Aluminum Electrolytic 0.22µF 10WV  | 1    | R354                  |          | Carbon 33k ohm ±5% 1/4W  | 1    |
| C303, 204             |          | Aluminum Electrolytic, 0.47µF 10WV | 2    | R154                  |          | Carbon 49k ohm ±5% 1/4W  | 1    |
| C138                  |          | Aluminum Electrolytic 1µF 16WV     | 1    | R362                  |          | Carbon 56k ohm ±5% 1/4W  | 1    |
| C143                  |          | Aluminum Electrolytic 1µF 25WV     | 1    | R363                  |          | Carbon 56k ohm ±5% 1/4W  | 1    |
| C305                  |          | Electrolytic 1µF 25WV              | 1    | R101, 102             |          | Carbon 100k ohm ±5% 1/4W | 8    |
| C353                  |          | Aluminum Electrolytic 2.2µF 16WV   | 1    | 106, 129              |          |                          |      |
| C221                  |          | Electrolytic 4.7µF 16WV            | 1    | 122, 353              |          |                          |      |
| C218, 316             |          | Electrolytic 10µF 16WV             | 9    | 327, 328              |          |                          |      |
| 317, 318              |          |                                    |      | R133, 325             |          | Carbon 100k ohm ±5% 1/4W | 2    |
| 309, 312              |          |                                    |      | R314, 318             |          | Carbon 680k ohm ±5% 1/4W | 2    |
| 314, 315, 352         |          |                                    |      | R112, 110             |          | Carbon 1M ohm ±5% 1/4W   | 3    |
| C206                  |          | Electrolytic 100µF 10WV            | 1    | 121                   |          |                          |      |
| C308, 319             |          | Electrolytic 100µF 16WV            | 2    | R107                  |          | Carbon 1.8M ohm ±5% 1/4W | 1    |
| C210                  |          | Electrolytic 220µF 6.2WV           | 1    | R461, 462             |          | Carbon 3.9M ohm ±5% 1/4W | 8    |
| C330                  |          | Electrolytic 470µF 6.3WV           | 1    | 463, 464              |          |                          |      |
|                       |          |                                    |      | 465, 466              |          |                          |      |
|                       |          |                                    |      | 467, 468              |          |                          |      |
|                       |          |                                    |      | R408                  |          | Carbon 5.1M ohm ±5% 1/4W | 1    |
|                       |          |                                    |      | R401, 402             |          | Carbon 5.1M ohm ±5% 1/4W | 7    |
|                       |          |                                    |      | 403, 404              |          |                          |      |
|                       |          |                                    |      | 405, 406              |          |                          |      |
|                       |          |                                    |      | 407                   |          |                          |      |

PARTS LIST

| Ref. No.                      | Part No.         | Description  | Q'ty | Ref. No.               | Part No.         | Description                            | Q'ty |
|-------------------------------|------------------|--|------|------------------------|------------------|--|------|
| <b>BAND SELECTOR PCB ASSY</b> |                  |  |      | <b>SOCKET PCB ASSY</b> |                  |  |      |
| 132                           | 140-9-230T-03800 | Printed Circuit Board Assembly, Band Select                      | 1    | 135                    | 140-9-230T-82700 | Printed circuit Board Assembly, Socket | 1    |
|                               | 4-235T-38700     | Socket 13 pin  | 1    |                        | 4-235T-32600     | Socket, RCA pin w/switch AUX IN        | 1    |
|                               | 4-231T-61200     | Push Switch  | 1    |                        | 4-235T-32700     | Socket RCA pin w/out switch REC OUT    | 1    |
| R251, 252, 253, 254           |                  | Carbon Resistor 100k ohm ±5% 1/4W                                | 4    |                        | 4-237T-00100     | Terminal board                         | 8    |
|                               |                  |  |      |                        | 4-235T-52700     | Socket, Rec. Out                       | 3    |
| <b>FM TOUCH PCB ASSY</b>      |                  |  |      | <b>SCREW MOUNTING</b>  |                  |  |      |
| 133                           | 140-9-230T-03900 | Printed Circuit Board Assembly, FM Touch                         | 1    | Y1                     |                  | Pan Head Screw 2.6 x 4 mm              | 5    |
|                               | 4-236T-10274     | Plug, 7 pin  | 1    | Y2                     |                  | Pan Head Screw 2.6 x 6 mm              | 1    |
|                               | 4-236T-10277     | Plug 10 pin  | 1    | Y3                     |                  | Pan Head Screw 3 x 4 mm                | 5    |
| IC401                         |                  | IC SAS6600   | 1    | Y4                     |                  | Pan Head Screw 3 x 6 mm                | 2    |
| IC402                         |                  | IC SAS6700   | 1    | Y5                     |                  | Pan Head Screw 3 x 20 mm               | 2    |
| D401, 402                     |                  | Light Emitting Diode SLP-114B                                    | 8    | Y6                     |                  | Pan Head Screw 4 x 12 mm               | 4    |
| 403, 404                      |                  |  |      | Y7                     |                  | Flat Head Screw 4 x 12 mm              | 4    |
| 405, 406                      |                  |  |      | Y8                     |                  | Tapping Screw 3 x 8 mm                 | 7    |
| 407, 408                      |                  |  |      | Y9                     |                  | Tapping Screw 3 x 10 mm                | 3    |
| D418                          |                  | Diode 1S2473 Escutcheon  | 1    | Y10                    |                  | Tapping Screw 3 x 12 mm                | 9    |
|                               | 141-2-153T-28700 |  | 8    | Y11                    |                  | Tapping Screw 3 x 14 mm                | 1    |
|                               |                  |  |      | Y12                    |                  | Tapping Screw 3 x 16 mm                | 12   |
| C401, 402                     |                  | <b>CAPACITORS</b>  | 8    | Y13                    |                  | Tapping Screw 3 x 20 mm                | 2    |
| 403, 404                      |                  | Ceramic 0.001µF +80 -20% 50WV                                    |      | Y14                    |                  | Tapping Screw 3 x 25 mm                | 4    |
| 405, 406                      |                  |  |      | Y15                    |                  | Pan Head Screw with Washer 3 x 6 mm    | 2    |
| 407, 408                      |                  |  |      | Y16                    |                  | Tapping Screw with Washer 3 x 8 mm     | 7    |
| C421, 422                     |                  | Ceramic 0.001µF +80 -20% 50WV                                    | 8    | Y17                    |                  | Tapping Screw with Washer 3 x 10 mm    | 11   |
| 423, 424                      |                  |  |      | Y18                    |                  | Tapping Screw with Washer 3 x 12 mm    | 7    |
| 425, 426                      |                  |  |      | Y19                    |                  | Tapping Screw with Washer 3 x 14 mm    | 2    |
| 427, 428                      |                  |  |      | Y20                    |                  | Nut 7ø x 0.75 mm                       | 1    |
| C412                          |                  | Electrolytic 10µF +100 -10% 25WV                                 | 1    | Y21                    |                  | Nut 8ø x 0.75 mm                       | 1    |
| C411                          |                  | Electrolytic 100µF 3100- 10% 16WV                                | 1    | Y22                    |                  | Nut 2.6 mm                             | 2    |
|                               |                  | <b>RESISTORS</b>   |      | Y23                    |                  | Washer 2.6 mm                          | 1    |
|                               |                  | All resistors are Carbon P type ±5% 1/8W unless otherwise noted. |      | Y24                    |                  | Washer 3 x 10 x 0.5 mm                 | 1    |
| R453, 454                     |                  | Solid 10 ohm ±10% 1/2W   | 2    | Y25                    |                  | Washer 3 x 10 x 1 mm                   | 7    |
| R451                          |                  | 1k ohm   | 1    | Y26                    |                  | Washer 3 x 10 x 2 mm                   | 1    |
| R421, 422                     |                  | 3.3k ohm   | 8    | Y27                    |                  | Washer 3 x 12 x 1 mm                   | 4    |
| 423, 424                      |                  |  |      | Y28                    |                  | Washer 4 x 10 x 1 mm                   | 4    |
| 425, 426                      |                  |  |      | Y29                    |                  | External Tooth Lock Washer 3 mm        | 3    |
| 427, 428                      |                  |  |      | Y30                    |                  | External "E" Ring 2 mm                 | 1    |
| R452, 456                     |                  | 12k ohm  | 2    | Y31                    |                  | Tapping Screw 3 x 6 mm                 | 2    |
| R457                          |                  | 27k ohm  | 1    | Y32                    |                  | Panitead screw 3 x 8mm                 | 4    |
| R455                          |                  | 33k ohm  | 1    | Y51                    |                  | Tapping screw 3 x 8mm                  | 2    |
| R461, 462                     |                  | 3.9M ohm   | 8    | Y52                    |                  | Pan Head Screw w/spring washer 3 x 5mm | 1    |
| 463, 464                      |                  |  |      | Y53                    |                  | Spring washer 3 mm                     | 2    |
| 465, 466                      |                  |  |      | Y54                    | 141-2-457T-23000 | Special washer 2 mm                    | 2    |
| 467, 468                      |                  |  |      |                        |                  |  |      |
| R401, 402                     |                  | 5.1M ohm   | 8    |                        |                  |  |      |
| 403, 404                      |                  |  |      |                        |                  |  |      |
| 405, 406                      |                  |  |      |                        |                  |  |      |
| 407, 408                      |                  |  |      |                        |                  |  |      |
| <b>FM PRESET PCB ASSY</b>     |                  |  |      |                        |                  |  |      |
| 134                           | 140-9-230T-04000 | Printed Circuit Board Assembly, FM Preset                        | 1    |                        |                  |  |      |
| R441, 442, 443, 444           | 4-222T-52400     | Variable Resistor 100k (B)                                       | 7    |                        |                  |  |      |
| 445, 446                      |                  |  |      |                        |                  |  |      |
| 447                           |                  |  |      |                        |                  |  |      |
| D411, 412                     |                  | Diode 1S2472   | 7    |                        |                  |  |      |
| 413, 414                      |                  |  |      |                        |                  |  |      |
| 415, 416                      |                  |  |      |                        |                  |  |      |
| 417                           |                  |  |      |                        |                  |  |      |
| R432, 433                     |                  | Carbon 15k ohm ±2% 1/8W  | 7    |                        |                  |  |      |
| 434, 435                      |                  |  |      |                        |                  |  |      |
| 436, 437                      |                  |  |      |                        |                  |  |      |
| 438                           |                  |  |      |                        |                  |  |      |



EXPLODED VIEW (TURNTABLE)



PARTS LIST

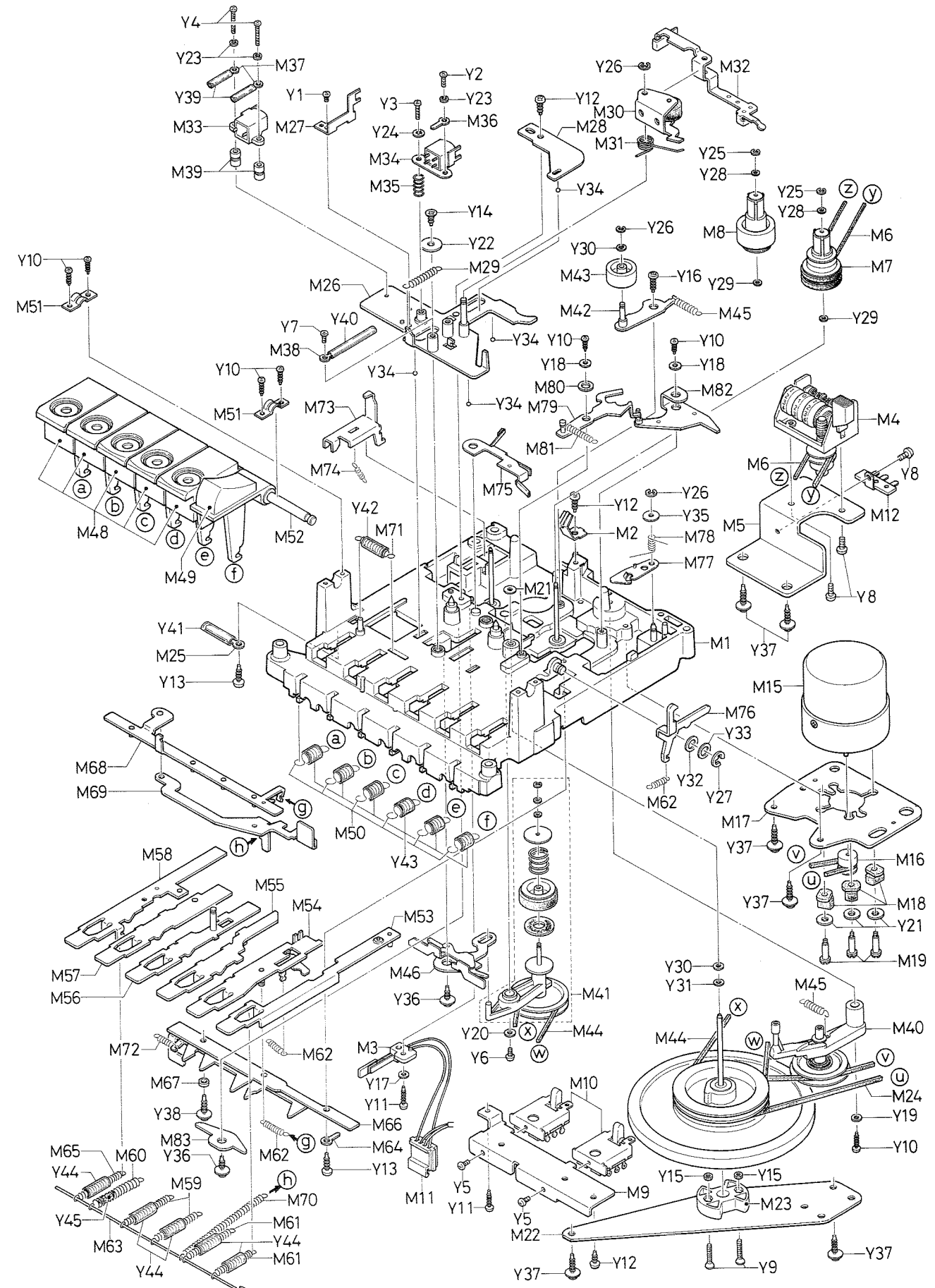
| Ref. No.         | Part No.           | Description                                     | Q'ty | Ref. No.         | Part No.          | Description                                      | Q'ty |
|------------------|--------------------|---|------|------------------|-------------------|--|------|
| <b>TURNTABLE</b> |                    |   |      | <b>TURNTABLE</b> |                   |  |      |
| T1               | FJA-620016         | Turn Table                                      | 1    | T79              | FJA-8909942       | Switch Arm Assembly                              | 1    |
| T2               | FJA-700515         | Drive Belt                                      | 1    | T80              | FJA-8901661       | Coil Spring                                      | 1    |
| T3               |                    | Tapping Screw 3 x 8mm                           | 16   | T81              | FJA-891258        | Cap  | 1    |
| T4               | FJA-893040         | Eccentricity Pin                                | 1    | T82              |                   | Electrical Capacitor 0.1µF 50WV                  | 1    |
| T5               |                    | Pan Head Screw 3 x 6 mm                         | 1    | T83              | FJA-891849        | Terminal Board                                   | 1    |
| T6               | FJA-893046         | Speed Select Base                               | 1    | T84              | FJA-894648        | Power Supply Cord                                | 1    |
| T7               | FJA-870402         | Speed Select Arm                                | 1    | T85              | FJA-894650        | Click Spring                                     | 1    |
| T8               |                    | External "E" Ring 3mm                           | 1    | T86              |                   | 4φ Lug   | 1    |
| T9               | FJA8901662         | Coil Spring                                     | 1    | T87              | FJA-894759        | Terminal Bracket                                 | 1    |
| T10              | FJA-850966         | Unit Plate Assembly                             | 1    | T88              | FJA-893493        | Plug Assembly, 2 pin                             | 1    |
| T11              | FJA-870895         | Speed Select Cover                              | 1    | T89              |                   | External Tooth Lock Washer 3mm                   | 1    |
| T12              | FJA-894649         | Speed Select Lever                              | 1    | T90              |                   | Vinyl Tube 6φx15mm                               | 1    |
| T13              | 141-0-661T-02900   | Motor Pulley                                    | 1    | T91              | FJA-870725        | Turn Table Mat                                   | 1    |
| T14              | FJA-IMS-250-20G-01 | Motor Assembly                                  | 1    | T92              | FJA-892887        | Decoration Metal, Turn Table                     | 1    |
| T15              | FJA-702230         | Rubber Cushion                                  | 3    | T93              | FJA-MM107         | Cartridge with Stylus                            | 1    |
| T16              | FJA-8936591        | Pipe  | 3    | T94              | FJA-N107          | Stylus   | 1    |
| T17              |                    | Fiber Washer 3.2x10x0.8mm                       | 3    |                  |                   |  |      |
| T18              |                    | Thread Rolling Screw 3x20mm                     | 3    |                  |                   |  |      |
| T19              | FJA891791          | Turn Table Shaft                                | 1    |                  |                   |  |      |
| T20              | FJA-890876         | Adaptor   | 1    |                  |                   |  |      |
| T21              | FJA-890675         | Adaptor Base                                    | 1    |                  |                   |  |      |
| T22              | FJA-7005141        | Turn Table Shaft Bracket                        | 1    |                  |                   |  |      |
| T23              |                    | External "E" Ring 3.2mm                         | 2    |                  |                   |  |      |
| T24              | FJA-890746         | Ethylene Washer                                 | 2    |                  |                   |  |      |
| T25              | FJA-890273         | Actuating Pawl                                  | 1    |                  |                   |  |      |
| T26              | FJA-890200         | Actuating Guide                                 | 1    |                  |                   |  |      |
| T27              | FJA-E813152        | E Ring  | 1    |                  |                   |  |      |
| T28              | FJA-890747         | Washer  | 1    |                  |                   |  |      |
| T29              | FJA-890322         | Reject Lever Shaft                              | 1    |                  |                   |  |      |
| T30              | FJA-891210         | R Gear Assembly                                 | 1    |                  |                   |  |      |
| T31              |                    | Fiber Washer 5x10x0.5mm                         | 1    |                  |                   |  |      |
| T32              | FJA-E817790        | Eccentricity Pin                                | 1    |                  |                   |  |      |
| T33              | FJA-E813153        | E Ring  | 1    |                  |                   |  |      |
| T34              | FJA-8708952        | Cueing Cover                                    | 1    |                  |                   |  |      |
| T35              | FJA-8708951        | Reject Cover                                    | 1    |                  |                   |  |      |
| T36              | FJA-890218         | Kick Lever                                      | 1    |                  |                   |  |      |
| T37              | FJA-890259         | Coil Spring                                     | 1    |                  |                   |  |      |
| T38              |                    | Spring Washer 3 mm                              | 3    |                  |                   |  |      |
| T39              |                    | Nut 3mm   | 2    |                  |                   |  |      |
| T40              | FJA-E271110        | Stopper   | 1    |                  |                   |  |      |
| T41              | FJA-890721         | Switch Lever Assembly                           | 1    |                  |                   |  |      |
| T42              | FJA-894651         | Reject Support                                  | 1    |                  |                   |  |      |
| T43              |                    | Fiber Washer 5x10x1mm                           | 1    |                  |                   |  |      |
| T44              |                    | Fiber Washer 5x10x0.5mm                         | 1    |                  |                   |  |      |
| T45              |                    | External "E" Ring 4mm                           | 1    |                  |                   |  |      |
| T46              | FJA-8903792        | Reject Coil Spring                              | 1    |                  |                   |  |      |
| T47              |                    | Circular Ring 3.5mm                             | 1    |                  |                   |  |      |
| T48              | FJA-893369         | Rest Assembly                                   | 1    |                  |                   |  |      |
| T49              | FJA-850991         | Pick Up Assembly, include Cartridge with Stylus | 1    |                  |                   |  |      |
| T50              | FJA-890620         | Gear Stop Nut                                   | 1    |                  |                   |  |      |
| T51              | FJA-890619         | Eccentricity Shaft                              | 1    |                  |                   |  |      |
| T52              | FJA-890618         | Gear Stop Arm                                   | 1    |                  |                   |  |      |
| T53              | FJA-890628         | Coil Spring                                     | 1    |                  |                   |  |      |
| T54              | FJA-8907772        | Elevation Base                                  | 1    |                  |                   |  |      |
| T55              |                    | Fiber Washer 3.2x10x0.5mm                       | 2    |                  |                   |  |      |
| T56              | FJA-891980         | Reject Ring                                     | 1    |                  |                   |  |      |
| T57              | FJA-E832780        | Elevation Coil Spring                           | 1    |                  |                   |  |      |
| T58              | FJA-893622         | Elevation Shaft Assembly                        | 1    |                  |                   |  |      |
| T59              | FJA-8935831        | Plate Pick Up Table Assembly                    | 1    |                  |                   |  |      |
| T60              | FJA-890189         | Nut   | 1    |                  |                   |  |      |
| T61              |                    | Pan Head Screw 3x30mm                           | 1    |                  |                   |  |      |
| T62              | FJA-893615         | Cueing Base Assembly                            | 1    |                  |                   |  |      |
| T63              | FJA-893618         | Seesaw Coil Spring                              | 1    |                  |                   |  |      |
| T64              | FJA-893616         | Cue Seesaw                                      | 1    |                  |                   |  |      |
| T65              | FJA-E813681        | Coil Spring                                     | 1    |                  |                   |  |      |
| T66              |                    | Pan Head Screw 3x12mm                           | 1    |                  |                   |  |      |
| T67              | FJA-890593         | Cord Clamper                                    | 1    |                  |                   |  |      |
| T68              |                    | Fiber Washer 3.2x8x0.5mm                        | 1    |                  |                   |  |      |
| T69              | FJA-8903222        | Reject Lever Shaft                              | 1    |                  |                   |  |      |
| T70              | FJA-892331         | Arm Coil Spring                                 | 1    |                  |                   |  |      |
| T71              | FJA-890995         | Eccentricity Pin                                | 1    |                  |                   |  |      |
| T72              | FJA-890765         | Washer  | 1    |                  |                   |  |      |
| T73              | FJA-8916351        | Actuating Arm                                   | 1    |                  |                   |  |      |
| T74              | FJA-8700381        | Actuating Base                                  | 1    |                  |                   |  |      |
| T75              | FJA-890794         | Seesaw Assembly                                 | 1    |                  |                   |  |      |
| T76              |                    | Pan Head Screw 3x14mm                           | 2    |                  |                   |  |      |
| T77              | FJA-890334         | Micro Switch                                    | 1    |                  |                   |  |      |
| T78              |                    | Circular Ring 3mm                               | 1    |                  |                   |  |      |
|                  |                    |   |      | M1               | 141-0-311T-04900  | Chassis Assembly                                 | 1    |
|                  |                    |   |      | M2               | 141-2-853T-47200  | Plate Spring, Cassette Pressure                  | 1    |
|                  |                    |   |      | M3               | 4-231T-50900      | Switch, Power                                    | 1    |
|                  |                    |   |      | M4               | 141-2-811T-05600  | Counter  | 1    |
|                  |                    |   |      | M5               | 141-2-812T-06200  | Bracket, Counter Mtg.                            | 1    |
|                  |                    |   |      | M6               | 141-2-564T-17200  | Belt, Counter Belt                               | 1    |
|                  |                    |   |      | M7               | 141-0-531T-04491  | Reel Plate Assembly                              | 1    |
|                  |                    |   |      | M8               | 141-0-531T-01701  | Reel Plate Assembly Supply                       | 1    |
|                  |                    |   |      |                  |                   | Reel   |      |
|                  |                    |   |      | M9               | 141-2-365T-33500  | Bracket Switch, Muting Switch                    | 1    |
|                  |                    |   |      | M10              | 4-231T-43000      | Switch, Muting                                   | 2    |
|                  |                    |   |      | M11              | 4-235T-39500      | Socket 4 pin, Motor Lead                         | 1    |
|                  |                    |   |      | M12              | 4-237T-05800      | Terminal Board, Motor Lead                       | 1    |
|                  |                    |   |      | M13              | 4-235T-39800      | Socket 4 pin, Mechanism                          | 1    |
|                  |                    |   |      |                  |                   | Switch Lead                                      |      |
|                  |                    |   |      | M14              | 4-235T-39900      | Socket 8 pin, R/P & E Head Lead                  | 1    |
|                  |                    |   |      |                  |                   | Lead   |      |
|                  |                    |   |      | M15              | 4-527T-08300      | DC Motor   | 1    |
|                  |                    |   |      | M16              | 141-0-661T-66191  | Motor Pulley Assembly                            | 1    |
|                  |                    |   |      | M17              | 141-2-378T-08200  | Bracket Motor, Motor Mtg.                        | 1    |
|                  |                    |   |      | M18              | 141-2-445T-11801  | Rubber Cushion, Motor Mtg.                       | 3    |
|                  |                    |   |      | M19              | 141-2-421T-12500  | Special Screw, Motor Mtg.                        | 3    |
|                  |                    |   |      | M20              | 141-0-521T-07000  | Flywheel Assembly                                | 1    |
|                  |                    |   |      | M21              | 141-2-457T-04300  | Special Washer, Flywheel Mtg.                    | 1    |
|                  |                    |   |      | M22              | 141-2-524T-07000  | Bracket, Flywheel Mtg.                           | 1    |
|                  |                    |   |      | M23              | 141-2-572T-05800  | Bracket, Flywheel Support                        | 1    |
|                  |                    |   |      | M24              | 141-2-564T-15400  | Main Belt  | 1    |
|                  |                    |   |      | M25              | 123-2-472R-00600  | Lug, Flywheel Earth Lead Fixer                   | 1    |
|                  |                    |   |      |                  |                   | Slide Assembly, Head Slide                       |      |
|                  |                    |   |      | M26              | 141-0-731T-11700  | Slide Assembly, Head Slide                       | 1    |
|                  |                    |   |      | M27              | 141-2-821T-10200  | Tape Guide                                       | 1    |
|                  |                    |   |      | M28              | 141-2-853T-38500  | Plate Spring, Head Slide (M26) Hold              | 1    |
|                  |                    |   |      |                  |                   | Coil Spring, Head Slide                          |      |
|                  |                    |   |      | M29              | 141-2-851T-99200  | Coil Spring, Head Slide Connect of Operation     | 1    |
|                  |                    |   |      |                  |                   | Pinch Roller Lever Assembly                      |      |
|                  |                    |   |      | M30              | 141-0-545T-02500  | Pinch Roller Lever Assembly                      | 1    |
|                  |                    |   |      | M31              | 141-2-852T-09400  | Wire Spring, Pinch Roller Pressure               | 1    |
|                  |                    |   |      |                  |                   | Lever Shut Off Assembly                          |      |
|                  |                    |   |      | M32              | 141-0-721T-033912 | Lever Shut Off Assembly                          | 1    |
|                  |                    |   |      | M33              | 4-242T-20700      | Erase Head                                       | 1    |
|                  |                    |   |      | M34              | 4-242T-20200      | Record/Playback Head                             | 1    |
|                  |                    |   |      | M35              | 141-2-851T-49700  | Coil Spring, Record/Playback Head Azimuth Adjust | 1    |
|                  |                    |   |      |                  |                   | Lug, Record/Playback Head Earth                  |      |
|                  |                    |   |      | M36              | 123-2-472R-00200  | Lug, Record/Playback Head Earth                  | 1    |
|                  |                    |   |      |                  |                   | Lug, Erase Head Lead Fixer                       |      |
|                  |                    |   |      | M37              | 141-2-472T-05900  | Lug, Erase Head Lead Fixer                       | 2    |
|                  |                    |   |      | M38              | 141-2-472T-01000  | Lug, Lead Fixer                                  | 2    |
|                  |                    |   |      | M39              | 141-2-461T-16900  | Pipe, Erase Head Stand                           | 2    |



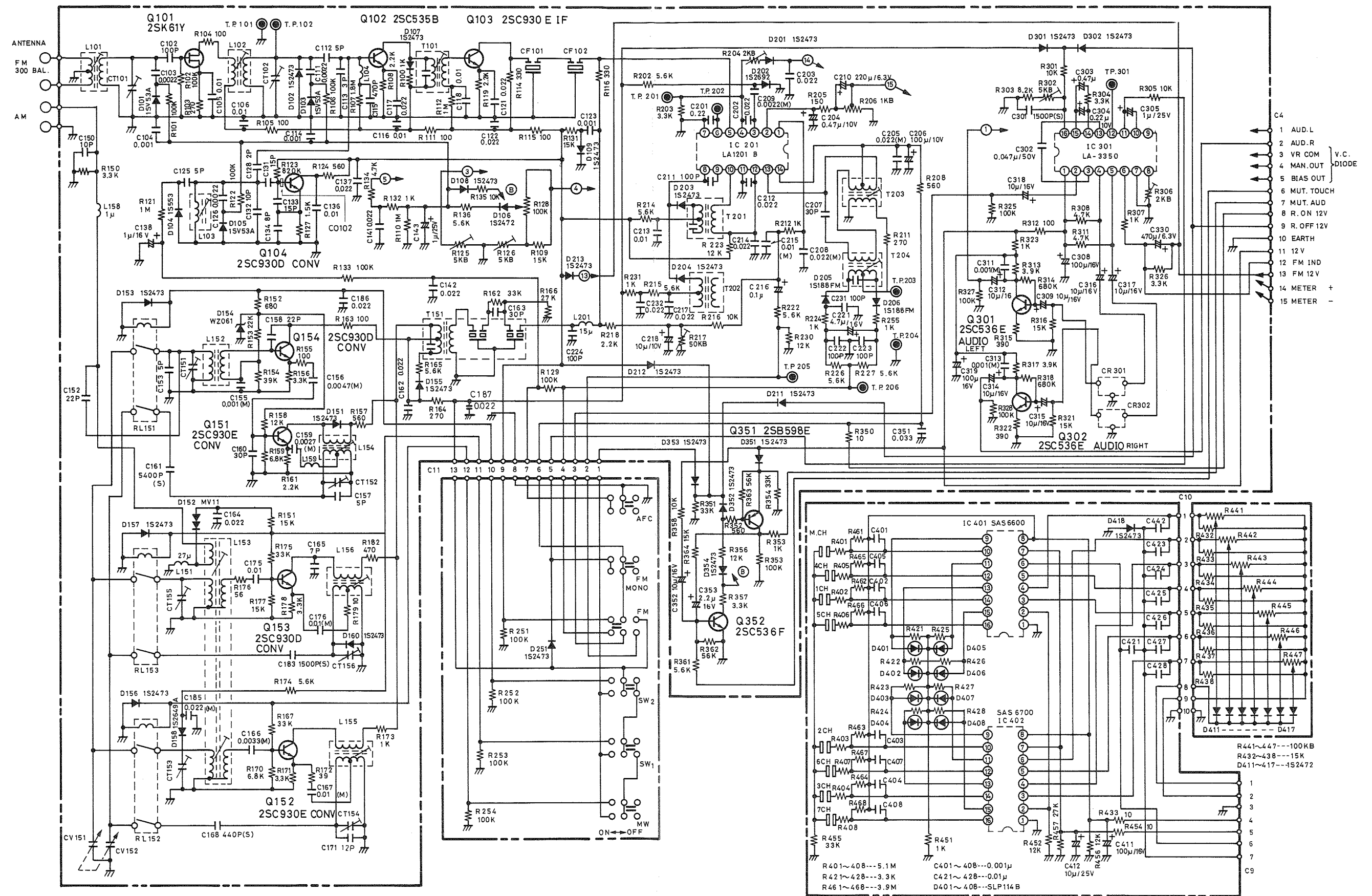
PARTS LIST

| Ref. No.         | Part No.                             | Description  | Q'ty | Ref. No.                | Part No. | Description                          | Q'ty |
|------------------|--------------------------------------|--|------|-------------------------|----------|--------------------------------------|------|
| <b>MECHANISM</b> |                                      |  |      | <b>MECHANISM SCREWS</b> |          |                                      |      |
| M40              | 141-0-741T-18201                     | Lever Assembly, Play   | 1    | Y1                      |          | Pan Head Screw 2x2mm                 | 1    |
| M41              | 141-0-741T-19000                     | Lever Assembly, Rewind & Fast Forward                        | 1    | Y2                      |          | Pan Head Screw 2x6mm                 | 1    |
| M42              | 141-0-741T-05700                     | Lever Assembly, Fast Forward Roller Lever                    | 1    | Y3                      |          | Pan Head Screw 2x8mm                 | 1    |
| M43              | 141-2-661T-23600                     | Pulley, Roller   | 1    | Y4                      |          | Pan Head Screw 2x12mm                | 2    |
| M44              | 141-2-564T-13500                     | Square Belt, Rewind & Fast Forward                           | 1    | Y5                      |          | Pan Head Screw 2.6x4mm               | 2    |
| M45              | 141-2-851T-63800                     | Coil Spring, Lever (M40, M42) Mtg.                           | 1    | Y6                      |          | Pan Head Screw 2.6x6mm               | 1    |
| M46              | 141-0-741T-17000                     | Lever Assembly, Rewind & Fast Forward Operation              | 1    | Y7                      |          | Pan Head Screw 3x4mm                 | 1    |
| M48              | 141-2-611T-09500                     | Push Button, Except Pause                                    | 5    | Y8                      |          | Pan Head Screw 3x6mm                 | 3    |
| M49              | 141-2-611T-09600                     | Push Button, Pause   | 1    | Y9                      |          | Flat Head Screw 2.6x10mm             | 2    |
| M50              | 141-2-855T-06800                     | Coil Spring, Push Button                                     | 6    | Y10                     |          | Tapping Screw 2.3x6mm                | 6    |
| M51              | 141-2-853T-23300                     | Plate Spring, Shaft (M52) Mtg.                               | 2    | Y11                     |          | Tapping Screw 2.3x8mm                | 2    |
| M52              | 141-2-612T-03000                     | Shaft, Push Button Mtg.                                      | 1    | Y12                     |          | Tapping Screw 3x6mm                  | 3    |
| M53              | 141-0-731T-11500                     | Slide Assembly, Pause  | 1    | Y13                     |          | Tapping Screw 3x8mm                  | 2    |
| M54              | 141-0-731T-11400                     | Slide Assembly, Stop   | 1    | Y14                     |          | Flat Head Tapping Screw 3x6mm        | 1    |
| M55              | 141-2-731T-44400                     | Slide, Fast Forward  | 1    | Y15                     |          | Nut 2.6mm                            | 2    |
| M56              | 141-0-731T-11600                     | Slide Assembly, Play   | 1    | Y16                     |          | Binding Head Tapping Screw 3x6mm     | 1    |
| M57              | 141-0-731T-11800                     | Slide Assembly, Rewind                                       | 1    | Y17                     |          | Washer 2.3mm                         | 1    |
| M58              | 141-0-731T-13600                     | Slide Assembly, Record                                       | 1    | Y18                     |          | Washer 2.3x6x0.4mm                   | 2    |
| M59              | 141-2-851T-31500                     | Coil Spring, Play & Fast Forward Slide Restore               | 2    | Y19                     |          | Washer 2.3x8x0.5mm                   | 1    |
| M60              | 141-2-851T-66400                     | Coil Spring, Rewind Slide Restore                            | 1    | Y20                     |          | Washer 2.6x6x0.5mm                   | 1    |
| M61              | 141-2-851T-67600                     | Coil Spring, Pause & Stop Slide Restore                      | 2    | Y21                     |          | Washer 3x8x0.5mm                     | 3    |
| M62              | 141-2-851T-56100                     | Coil Spring, Stop Slide (M54) & Lever (M76)                  | 2    | Y22                     |          | Washer 3x10x0.5mm                    | 1    |
| M63              | 141-2-735T-09900                     | Rod, Coil Spring Earth                                       | 1    | Y23                     |          | Spring Washer 2mm                    | 3    |
| M64              | 123-2-472R-00400                     | Lug, Bracket Slide (M66) Mtg.                                | 1    | Y24                     |          | Internal Tooth Lock Washer 2.6mm     | 1    |
| M65              | 141-2-851T-56000                     | Coil Spring, Record Slide Restore                            | 1    | Y25                     |          | External "E" Ring 1.5mm              | 2    |
| M66              | 141-0-737T-00700                     | Bracket Slide Assembly, Push Button Slide Fixer              | 1    | Y26                     |          | External "E" Ring 2mm                | 3    |
| M67              | 141-2-683T-26000                     | Ring, Bracket Slide (M66) Mtg.                               | 1    | Y27                     |          | External "E" Ring 3.2mm              | 1    |
| M68              | 141-0-731T-11900                     | Slide Assembly, Lock Slide                                   | 1    | Y28                     |          | Graphite Nylon Washer 2.1x4x0.25mm   | 2    |
| M69              | 141-2-741T-47308                     | Auto Stop Lever  | 1    | Y29                     |          | Graphite Nylon Washer 2.1x4x0.5mm    | 2    |
| M70              | 141-2-851T-73201 or 141-2-851T-73202 | Coil Spring, Auto Stop                                       | 1    | Y30                     |          | Graphite Nylon Washer 2.6x4.7x0.25mm | 2    |
| M71              | 141-2-851T-99000                     | Coil Spring, Slide (M68) Restore                             | 1    | Y31                     |          | Graphite Nylon Washer 2.6x4.7x0.5mm  | 1    |
| M72              | 141-2-851T-46000                     | Coil Spring, Bracket Slide (M66) Restore                     | 1    | Y32                     |          | Graphite Nylon Washer 5.2x8x0.25mm   | 1    |
| M73              | 141-2-741T-82500                     | Lever, Safety Recording                                      | 1    | Y33                     |          | Graphite Nylon Washer 5.2x8x0.5mm    | 1    |
| M74              | 141-2-851T-79800                     | Coil Spring, Lever (M73) Restore                             | 1    | Y34                     |          | Steel Ball 2φ                        | 4    |
| M75              | 141-0-741T-56491                     | Lever Assembly, Brake Lever                                  | 1    | Y35                     |          | Fiber Washer 3x8x0.5mm               | 1    |
| M76              | 141-2-741T-99100                     | Lever, Cassette Up   | 1    | Y36                     |          | Tapping Screw with Washer 3x6mm      | 2    |
| M77              | 141-2-614T-05100                     | Lever Lock, Pause  | 1    | Y37                     |          | Tapping Screw with Washer 3x8mm      | 6    |
| M78              | 141-2-852T-35100                     | Wire Spring, Pause   | 1    | Y38                     |          | Tapping Screw with Washer 3x10mm     | 1    |
| M79              | 141-0-741T-15301                     | Lever Assembly, Pause  | 1    | Y39                     |          | Vinyl Tube 2φx18mm                   | 1    |
| M80              | 141-2-683T-25800                     | Ring, Lever (M79) Mtg.                                       | 1    | Y40                     |          | Vinyl Tube 2φx35mm                   | 2    |
| M81              | 141-2-855T-02900                     | Coil Spring, Lever (M79) Restore                             | 1    | Y41                     |          | Vinyl Tube 3φx20mm                   | 1    |
| M82              | 141-0-741T-17100                     | Lever Assembly, Pause  | 1    | Y42                     |          | Vinyl Tube 5φx15mm                   | 1    |
| M83              | 141-2-741T-92200                     | Lever, Prevent a simultaneously Lock of Rewind & Play Button | 1    | Y43                     |          | Vinyl Tube 6φx10mm                   | 6    |
|                  |                                      |  |      | Y44                     |          | Vinyl Tube 4φx18mm                   | 5    |
|                  |                                      |  |      | Y45                     |          | Felt Cushion 5x5x7mm                 | 1    |

EXPLODED VIEW (MACHANISM)

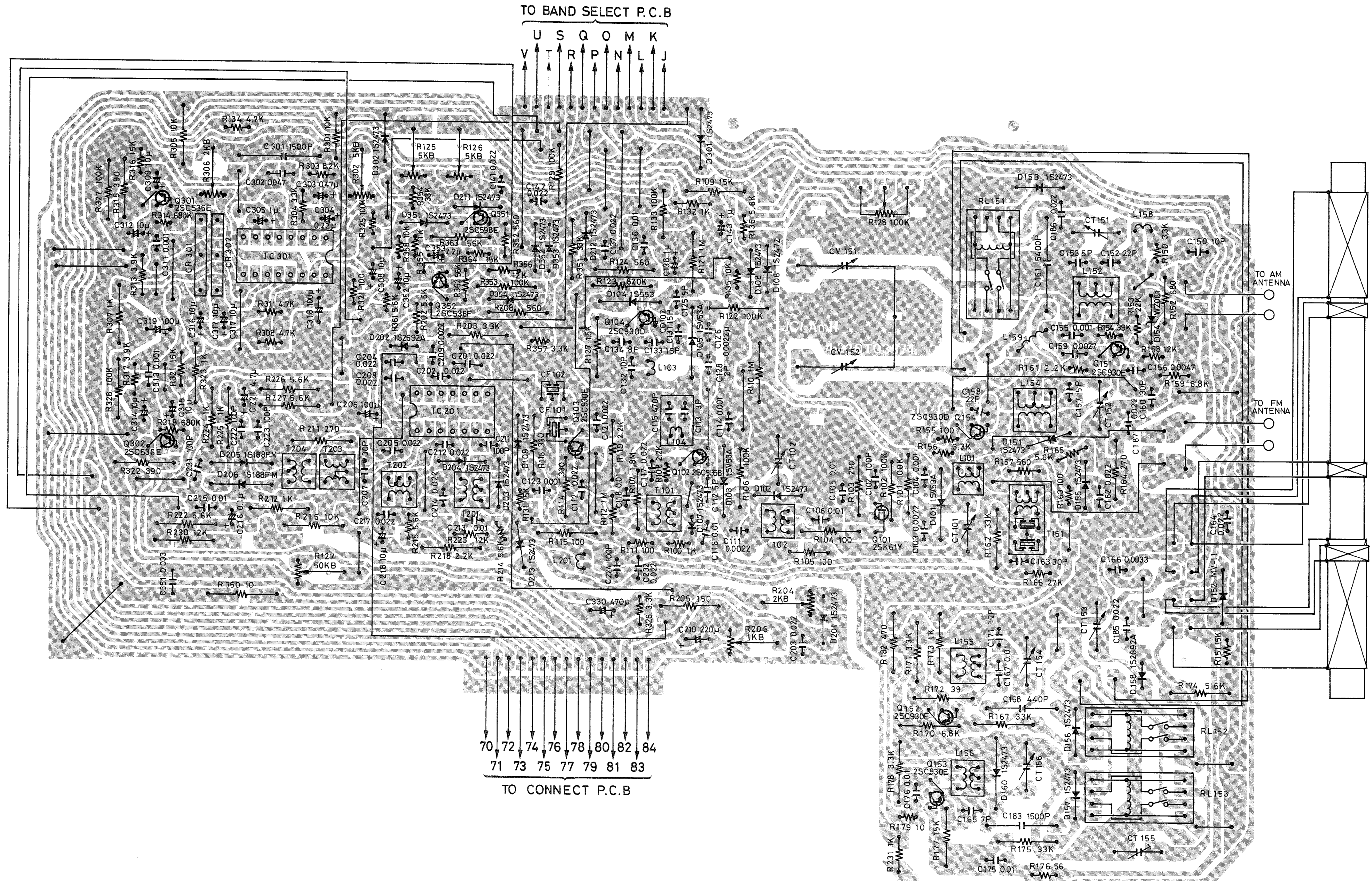


**SCHEMATIC DIAGRAM (TUNER , FM TOUCH, BAND SELECT FM PRESET)**

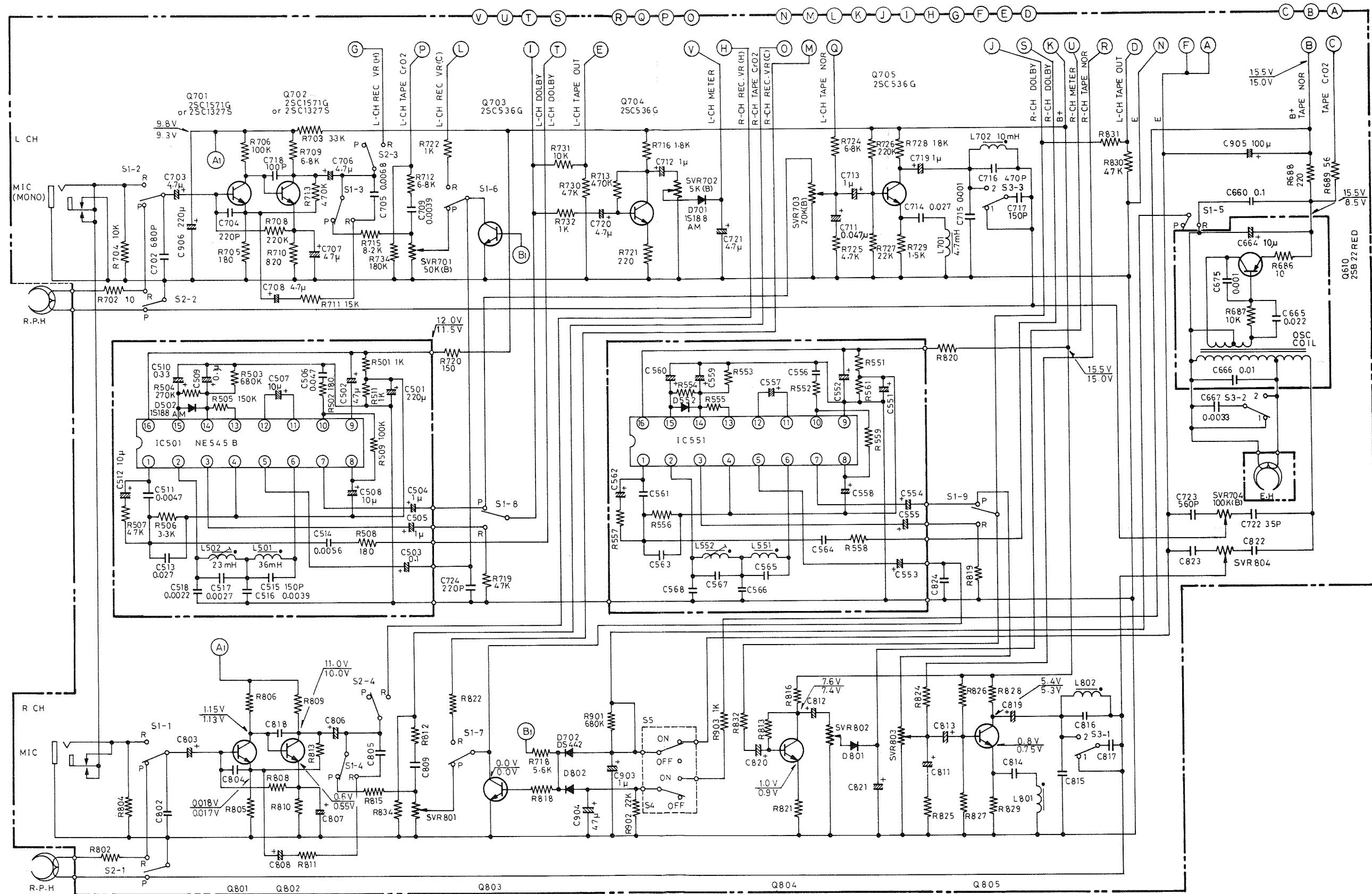




WIRING DIAGRAM (TUNER)



SCHEMATIC DIAGRAM (MAIN AMP, DOLBY)



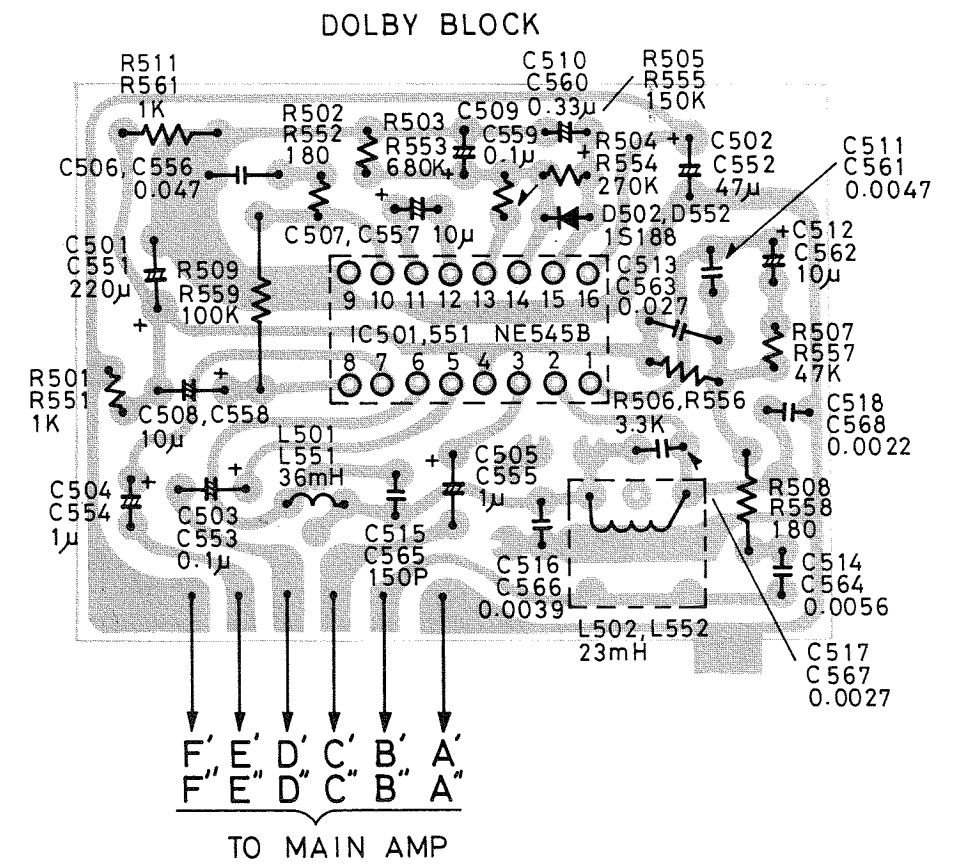
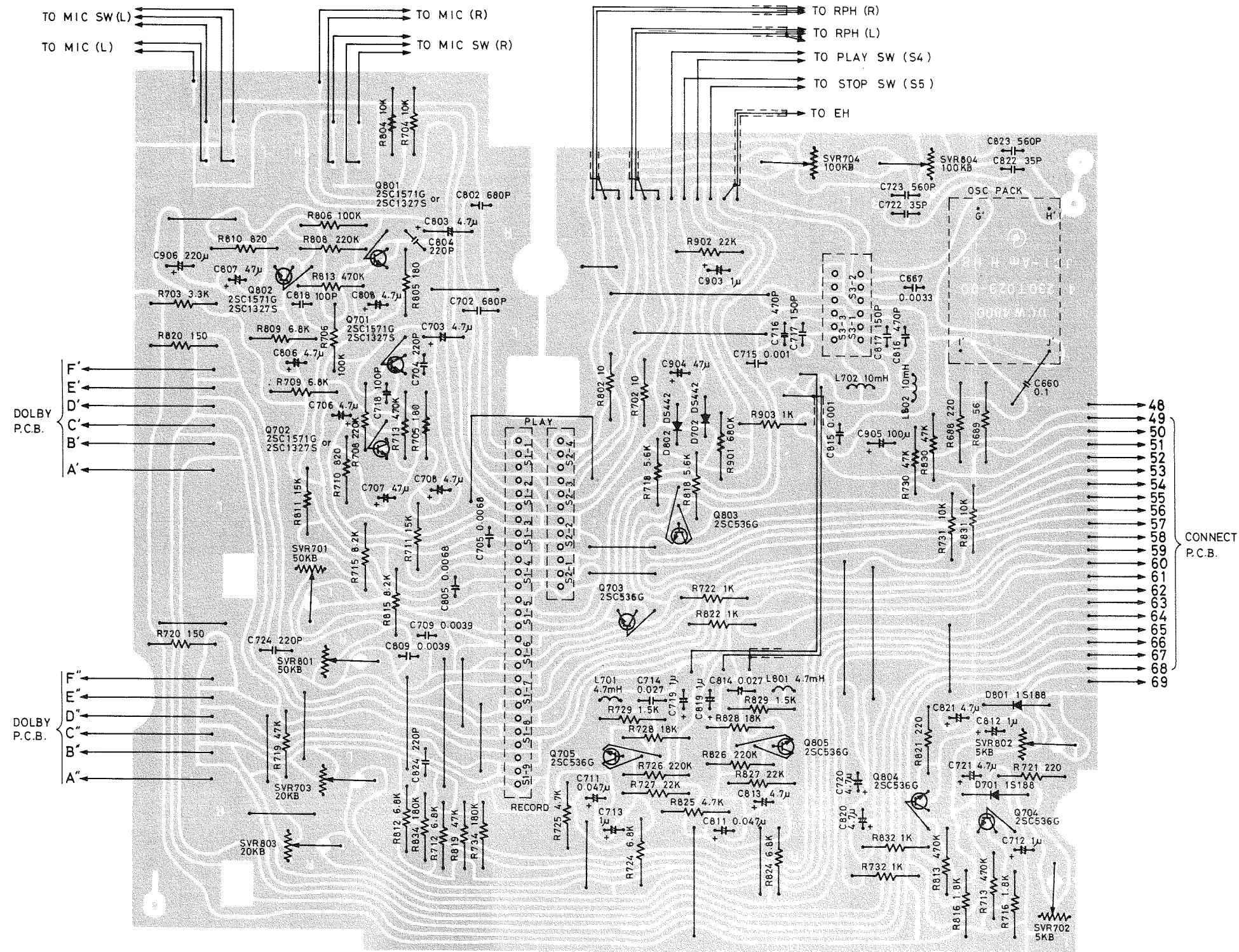
\* S1-1 ~ S1-9 R/P SWITCH AT PLAY POSITION  
 S2-1 ~ S2-4  
 S3-1 ~ S3-3 BEAT SWITCH AT 1 POSITION  
 S4 MUT. SWITCH OFF AT PLAY  
 S5 MUT. SWITCH INSTANT OFF AT STOP

\* TRANSISTOR CONNECTIONS (BOTTOM)

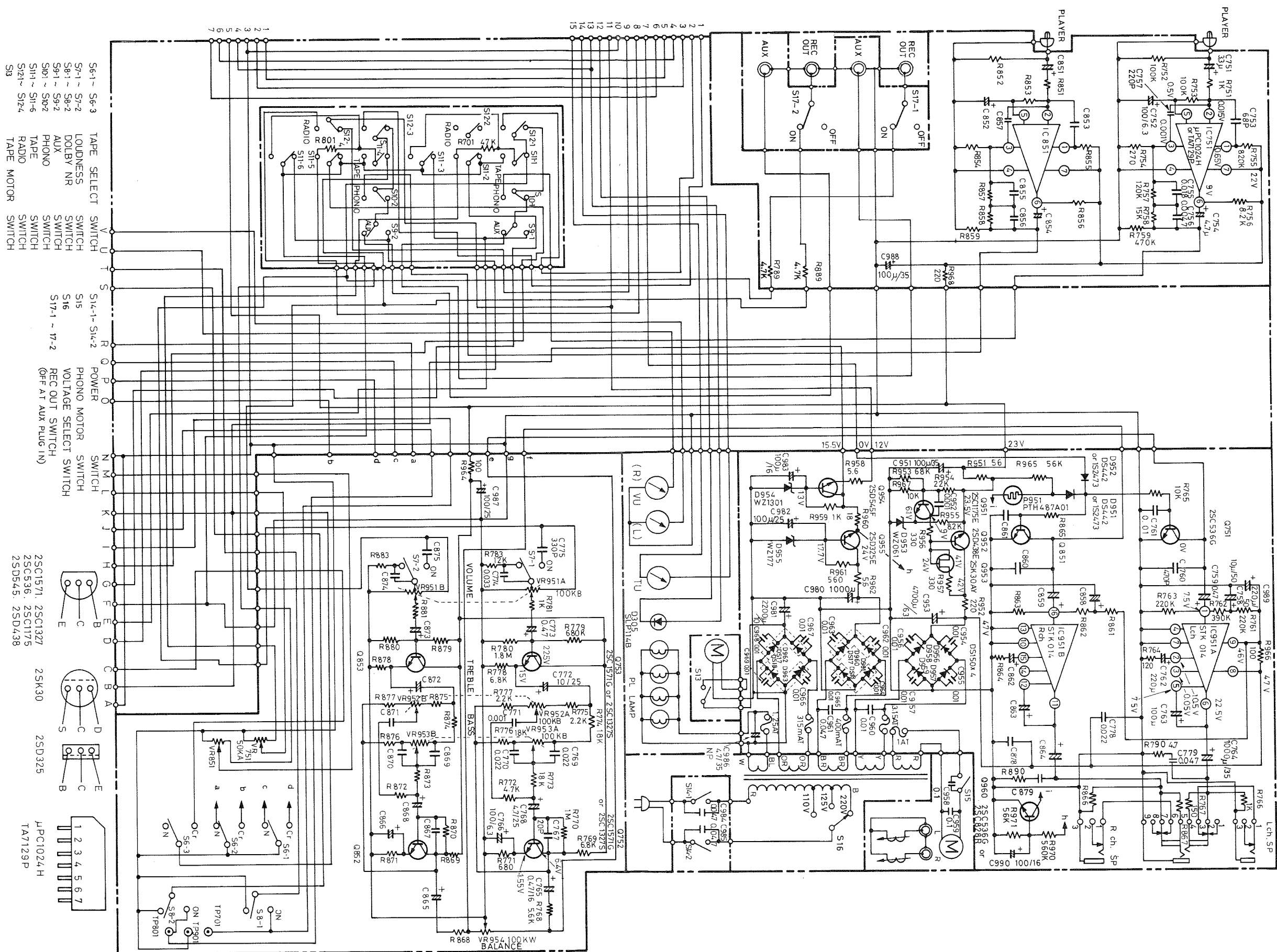
PLAY VOLTAGE TO CHASSIS  
 RECORD (NORMAL POSITION, TESTER 10V RANGE)



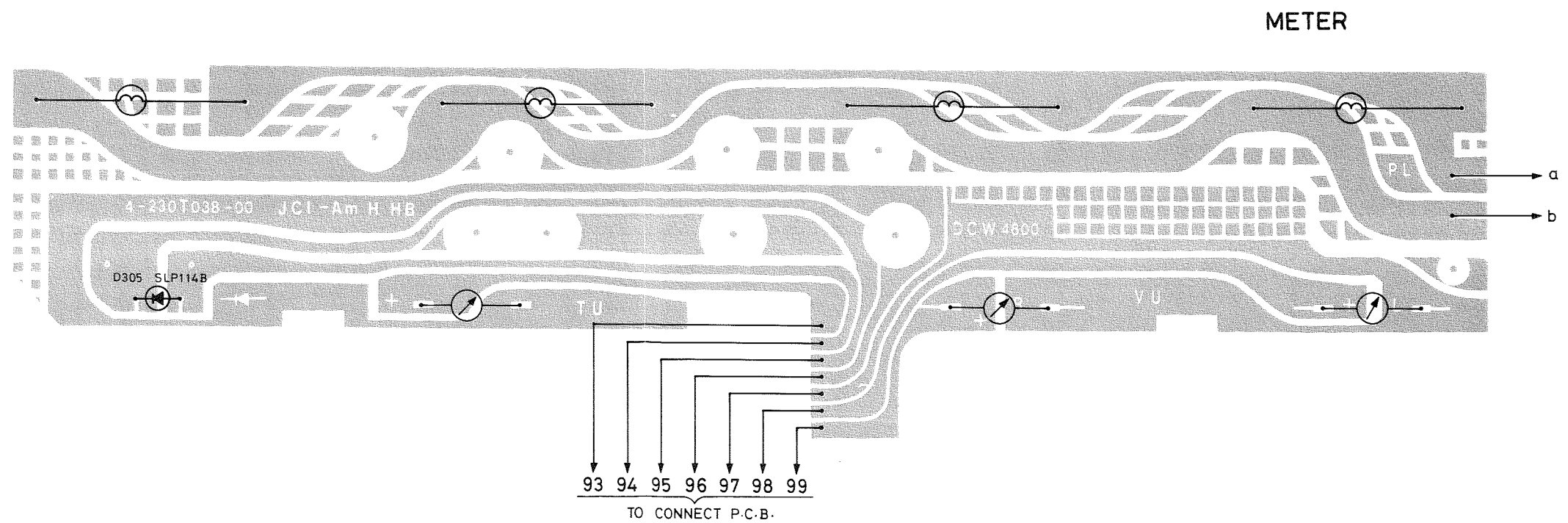
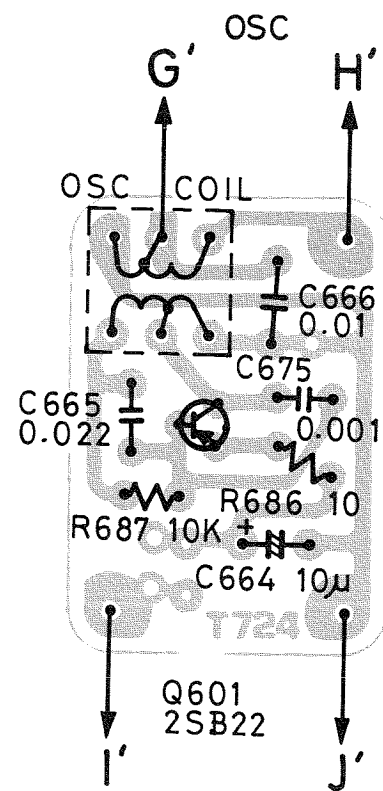
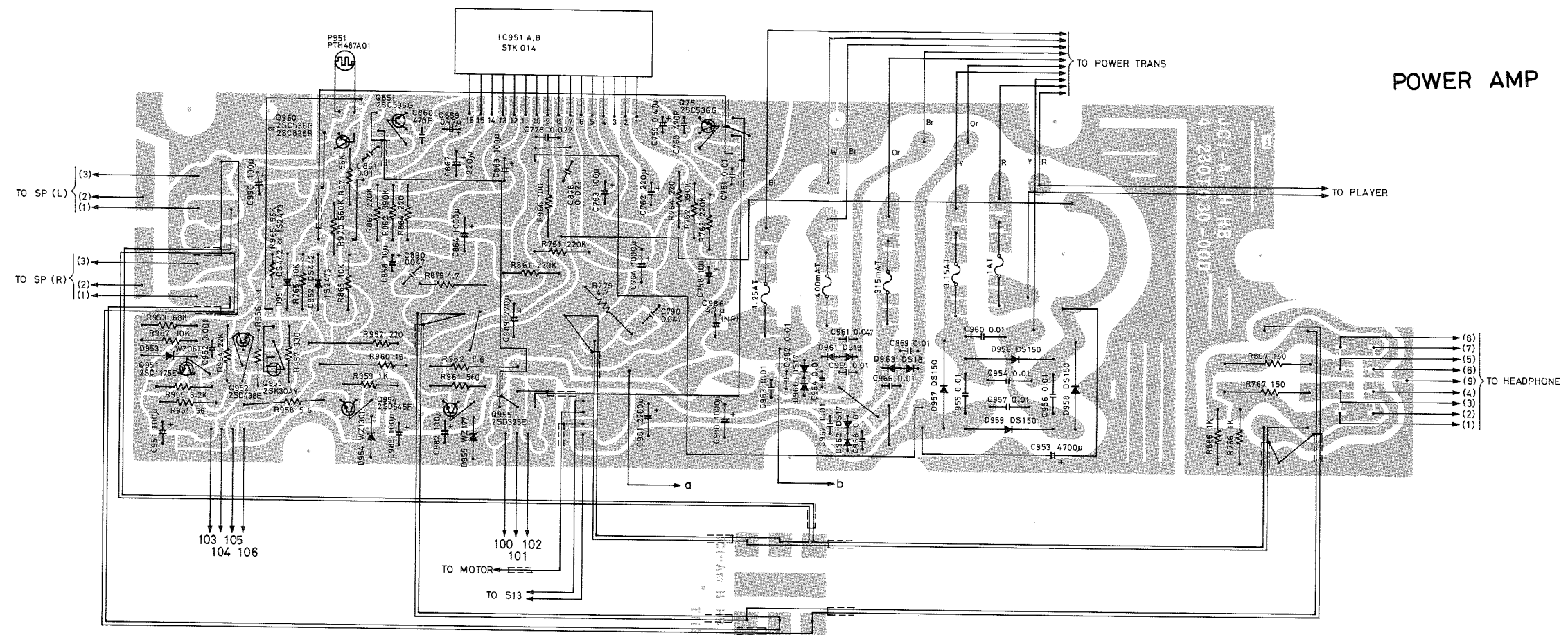
WIRING DIAGRAM (MAIN AMP, DOLBY)



SCHEMATIC DIAGRAM (EQUALIZER, FUNCTION, SUB VR, POWER AMP, POWER SUPPLY, METER, VR)

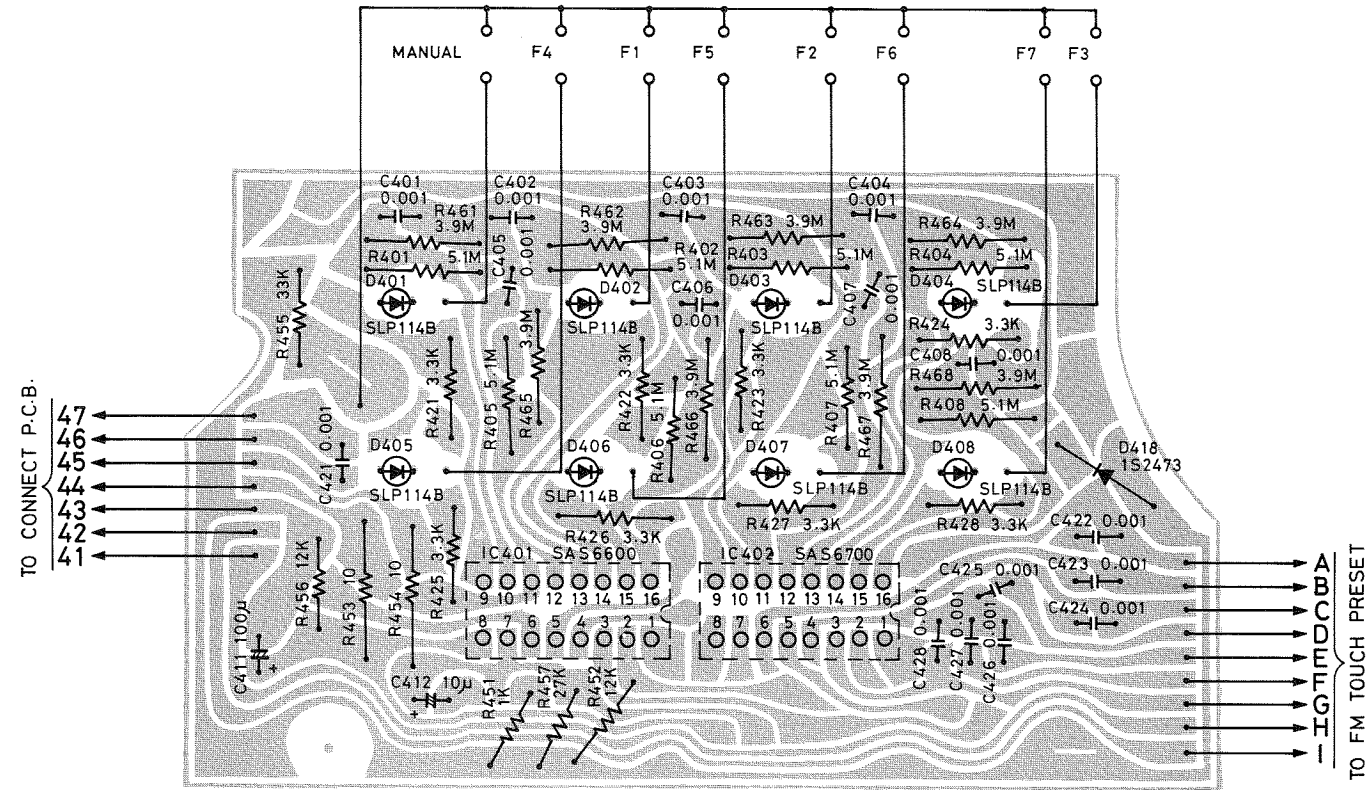


WIRING DIAGRAM

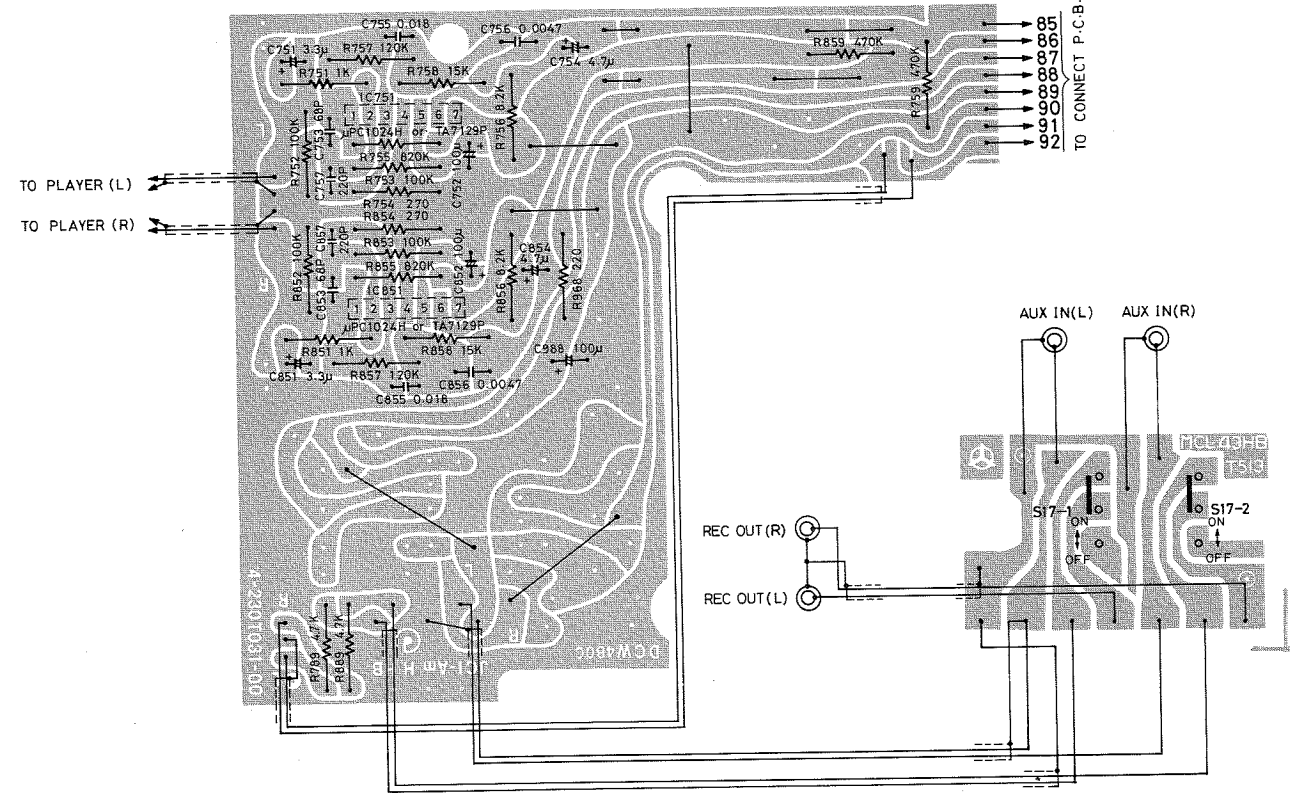
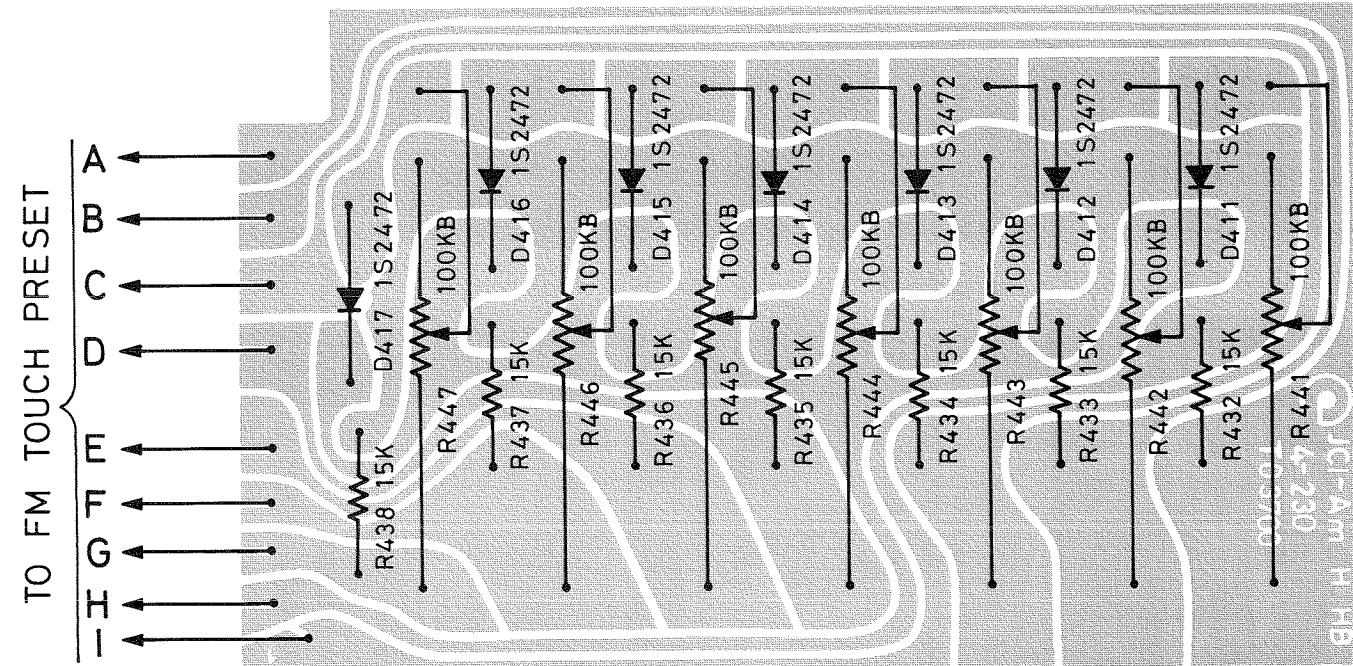




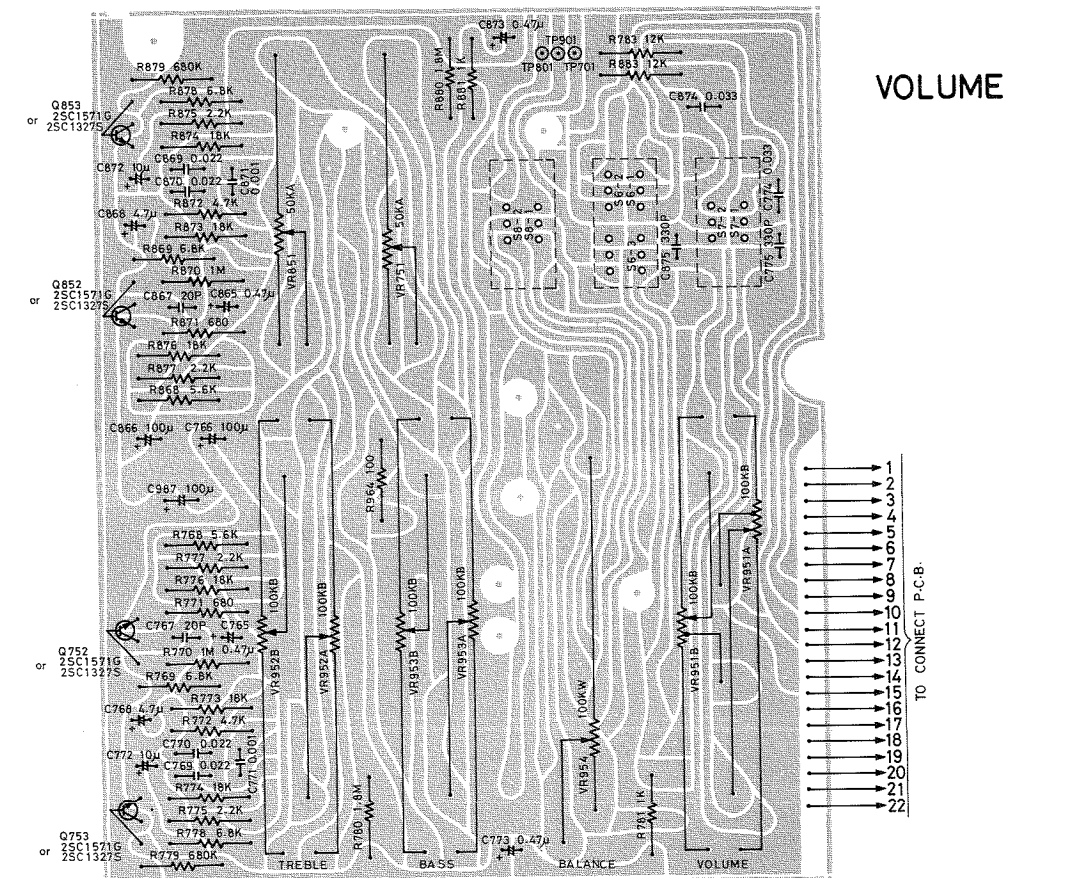
FM TOUCH



FM PRESET



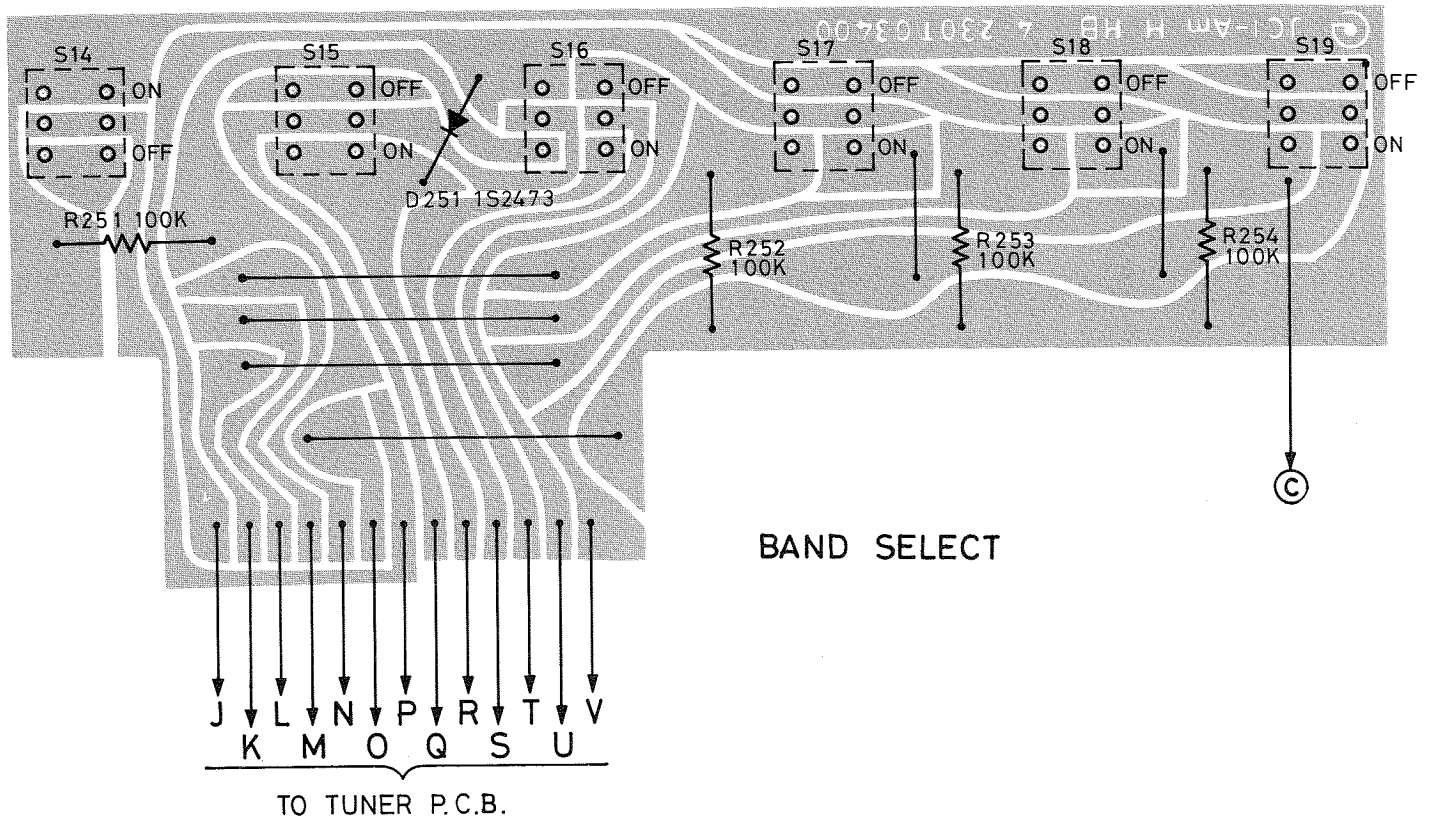
EQUALIZER



VOLUME

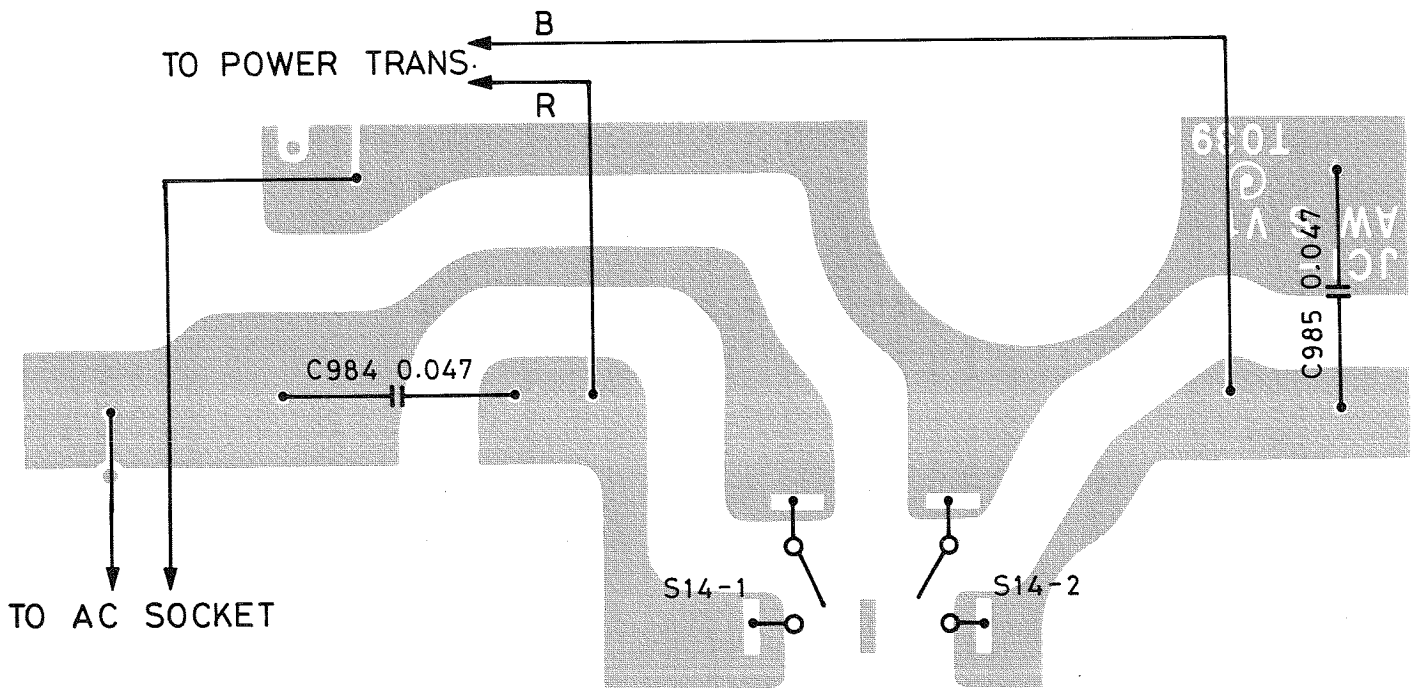


WIRING DIAGRAM



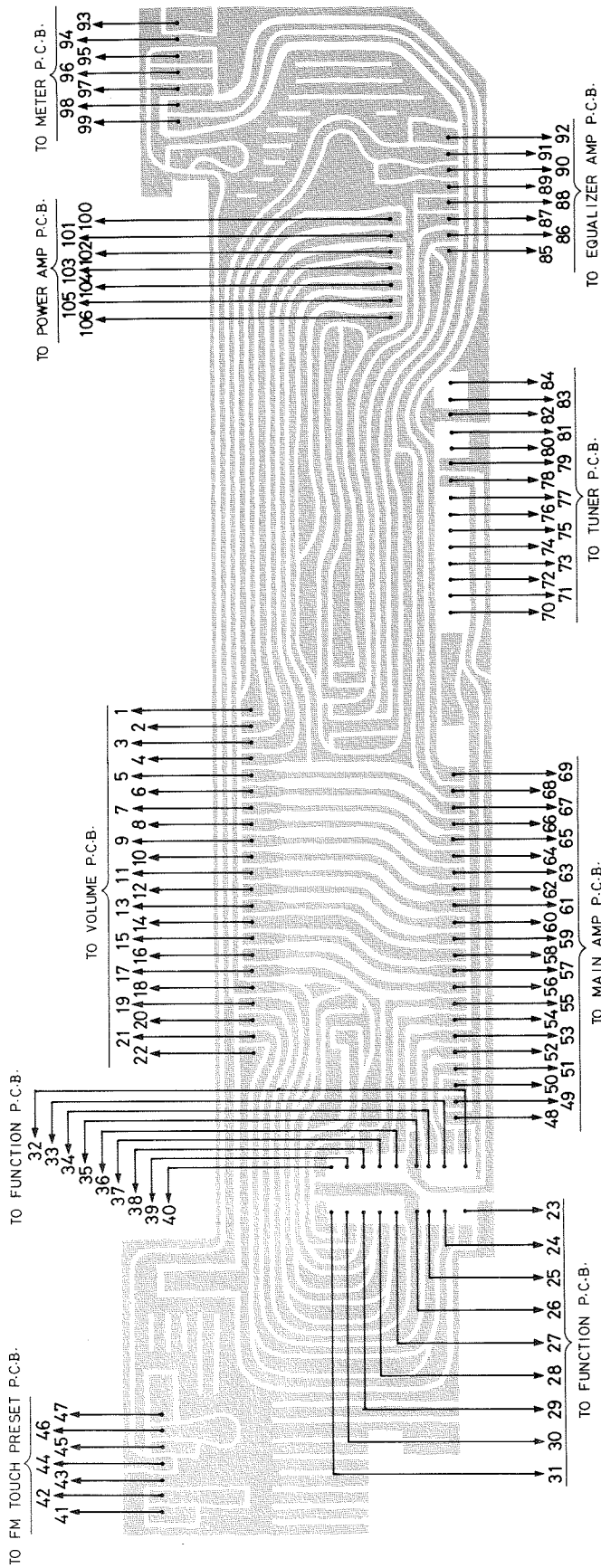
BAND SELECT

POWER SUPPLY

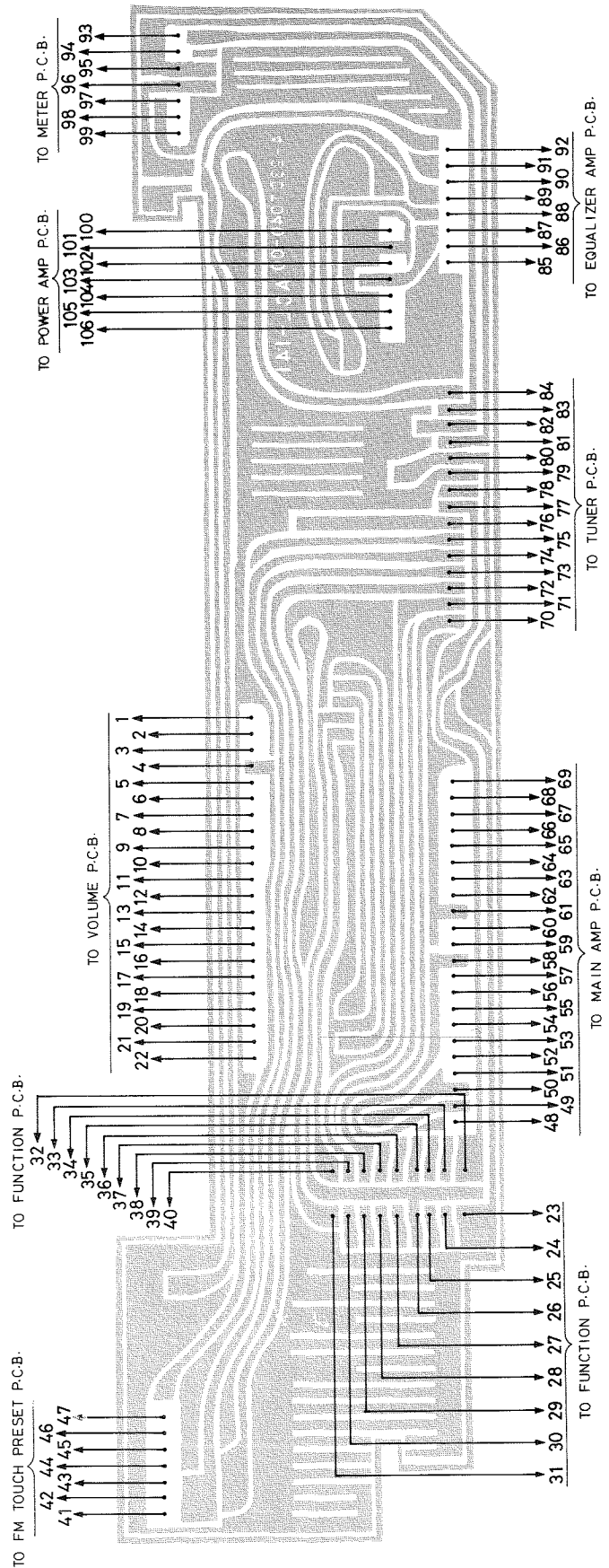


WIRING DIAGRAM

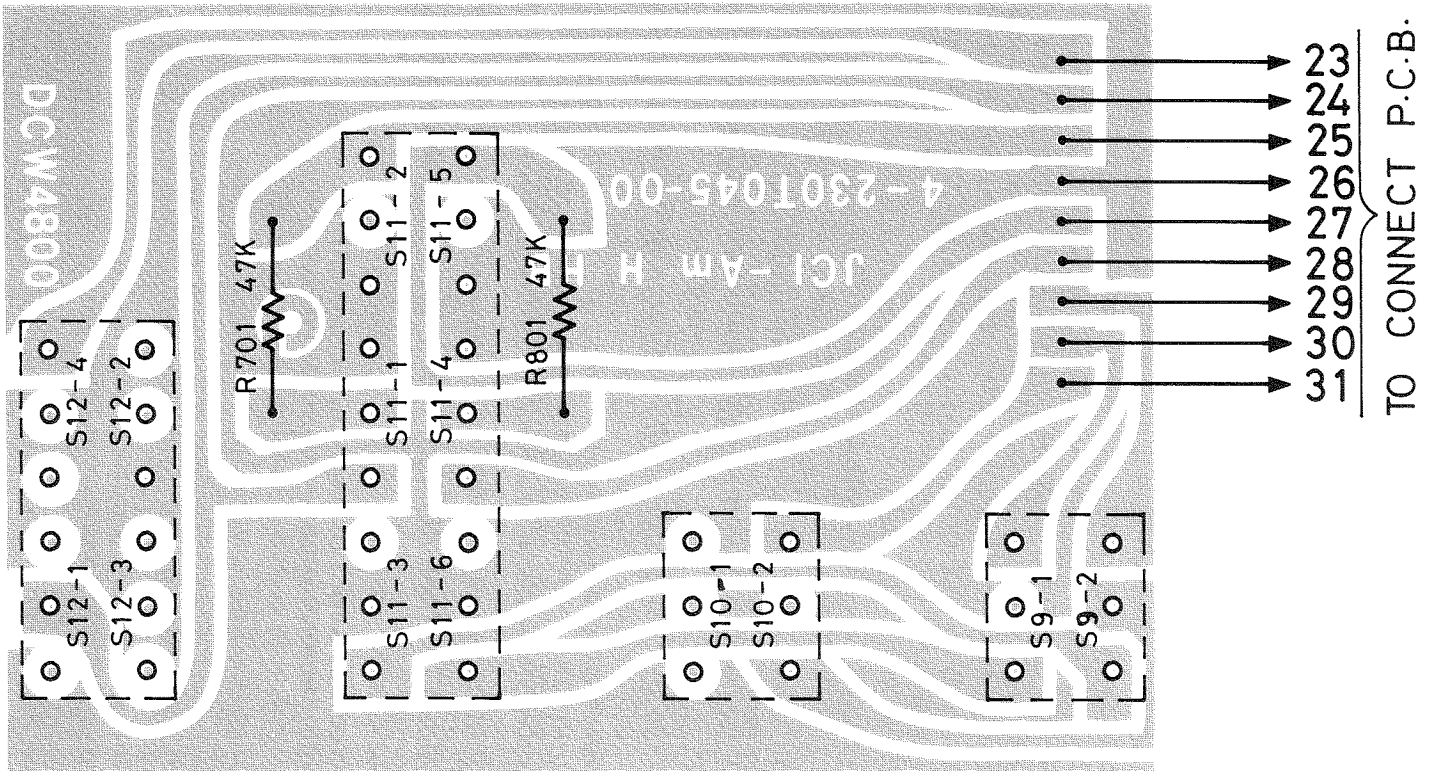
CONNECTOR



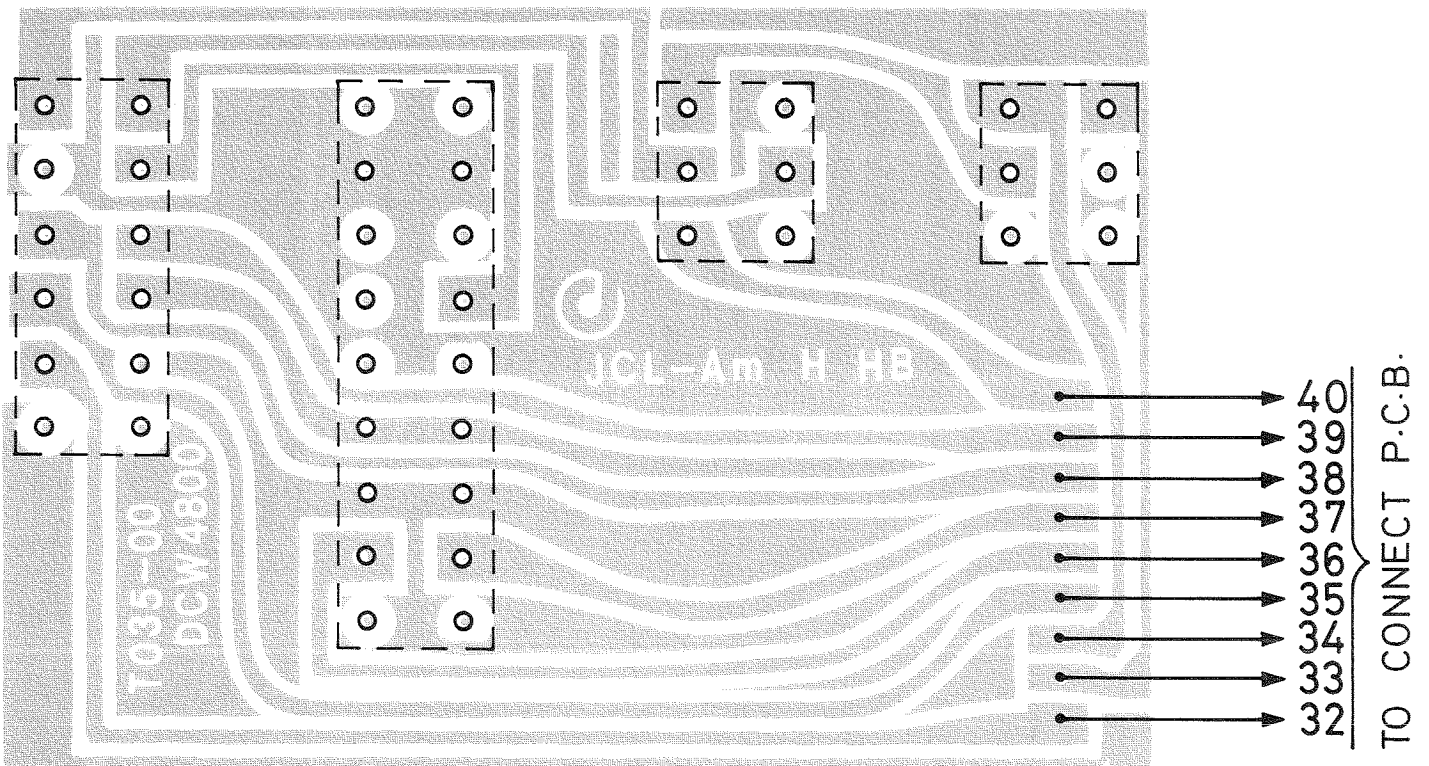
CONNECTOR



FUNCTION 1



FUNCTION 2



**SANYO ELECTRIC INC.**  
1200, West Artesia Blvd.,  
P. O. Box 3177  
Compton, California 90220  
Dec /77/7100KM Printed in Japan